

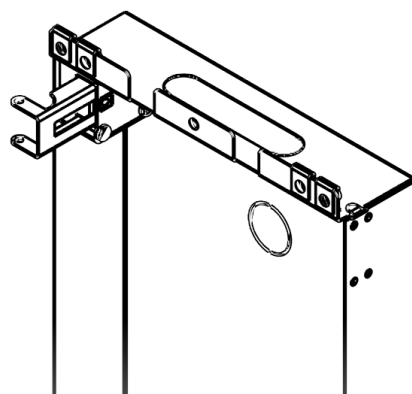


## Back boxes for flat plates

### Contents

[Safety and usage cautions](#)

[Mounting](#)



## Safety and usage cautions

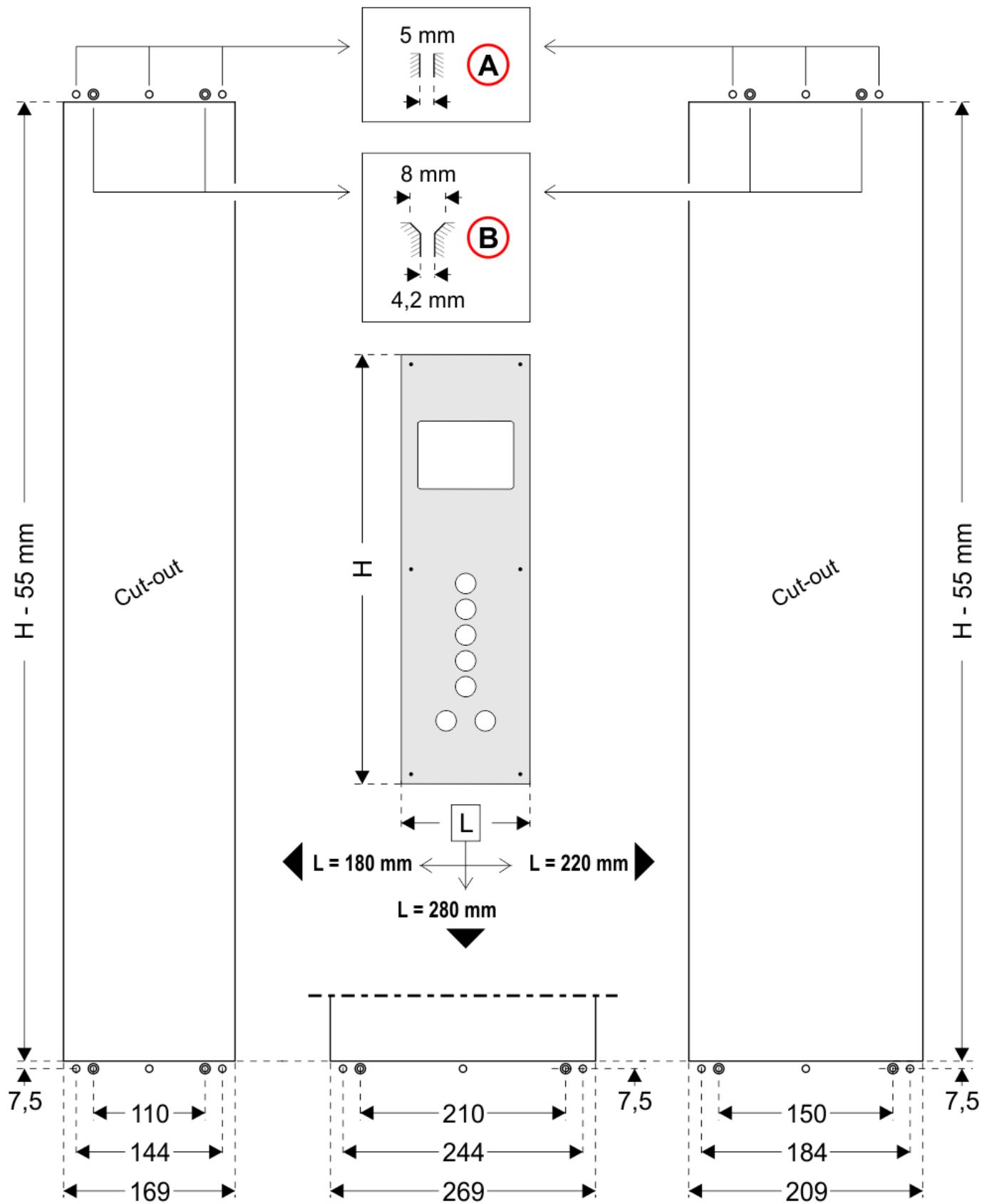
Before installing our products, we recommend you to consult the section about safety and usage cautions at the link below



## Mounting

[Phase 1]

Make the hole in the wall and the fixing holes as shown in the figure.

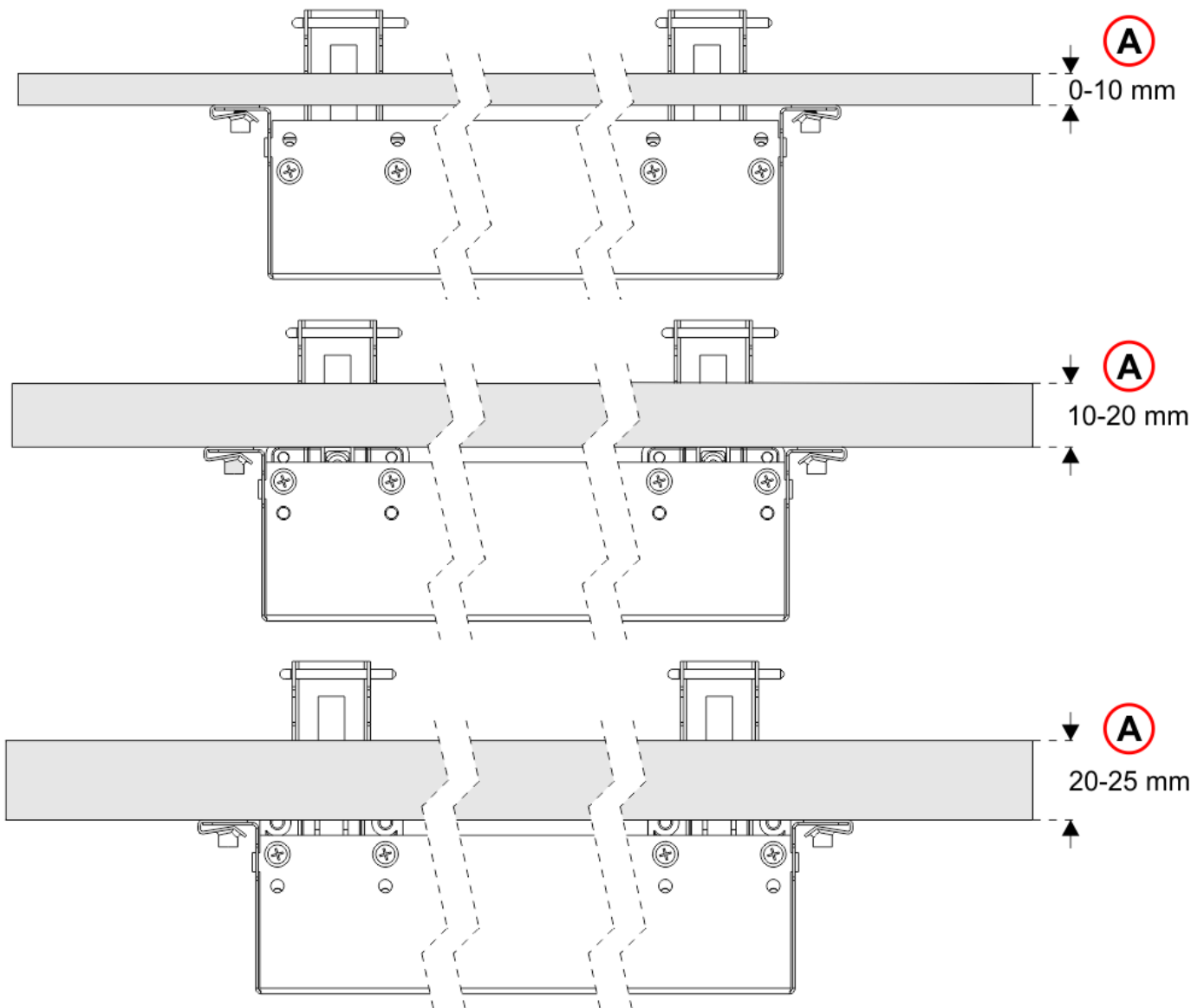
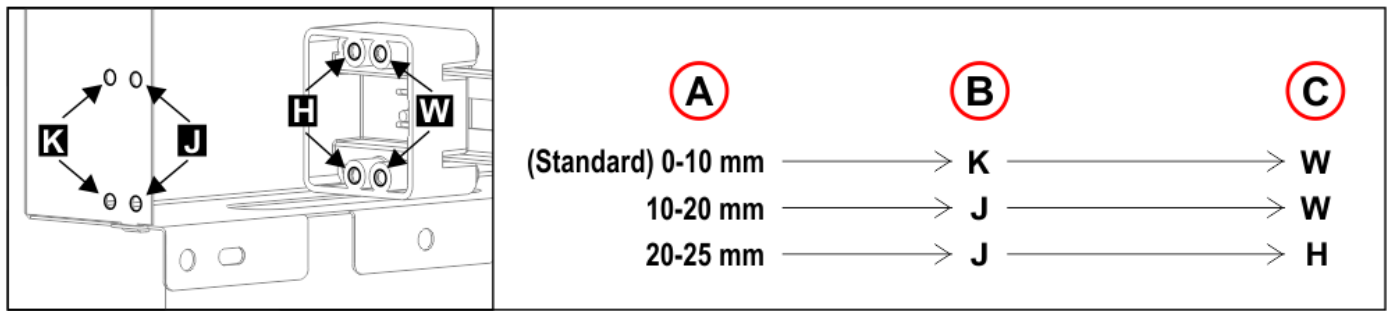


A) – for button panel fixing.

B) – for wall box fixing.

**[Phase 2]**

If necessary adjust the hinges to the wall thickness.

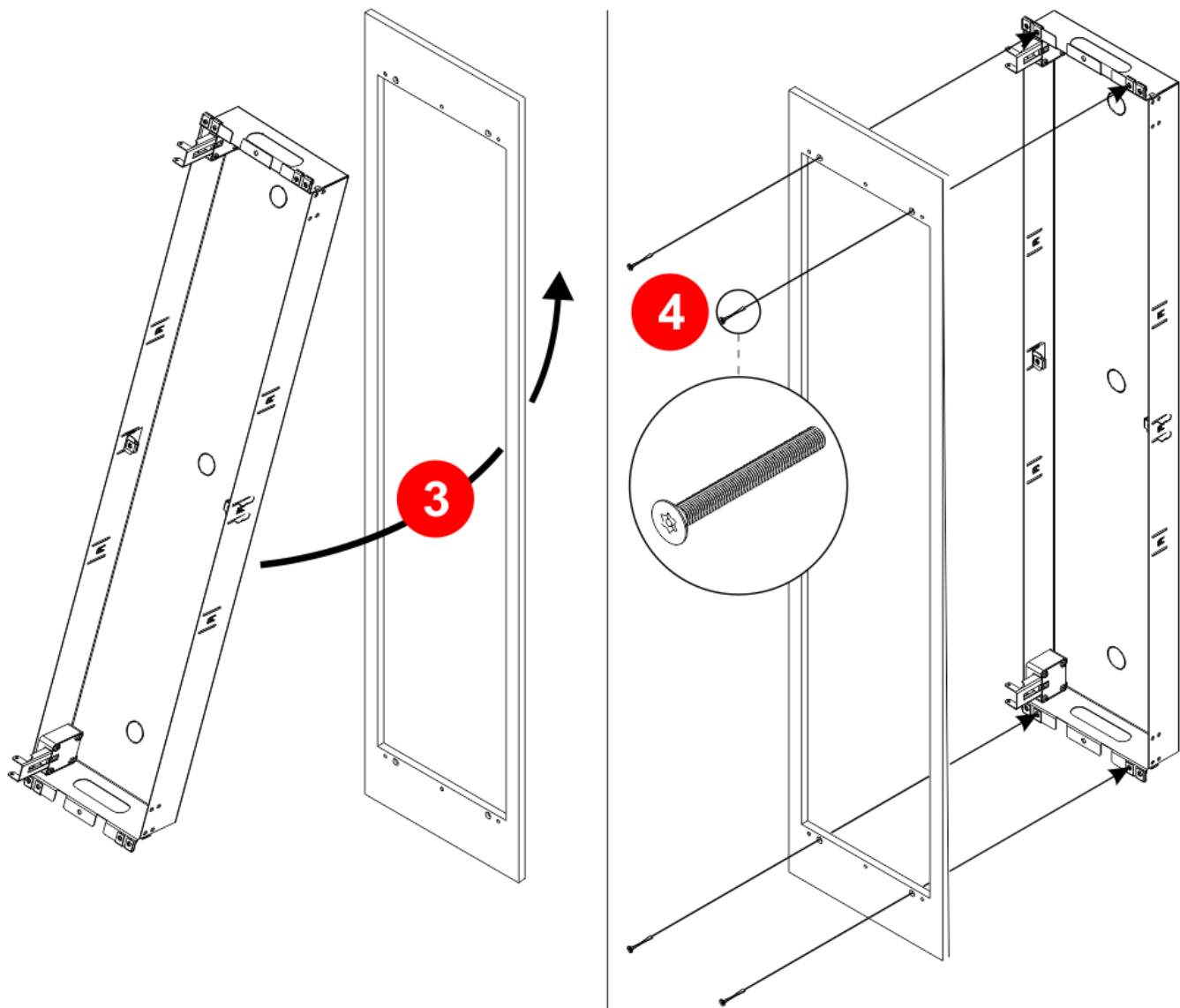


A) – Wall thickness

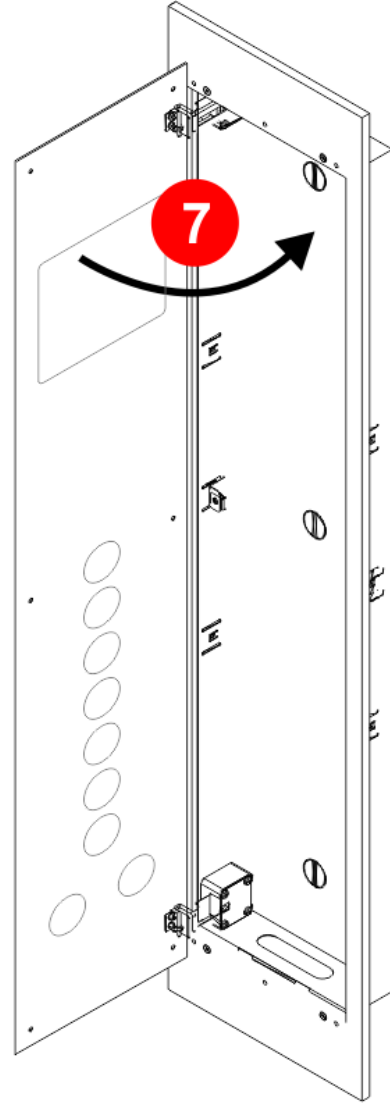
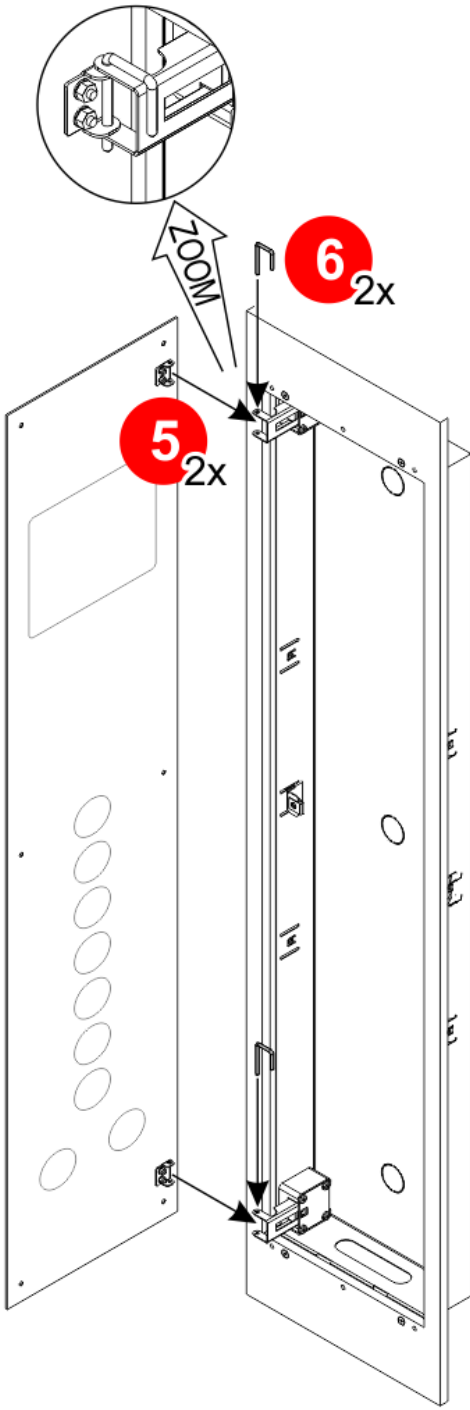
B) – Box holes configuration

C) – Hinge holes configuration

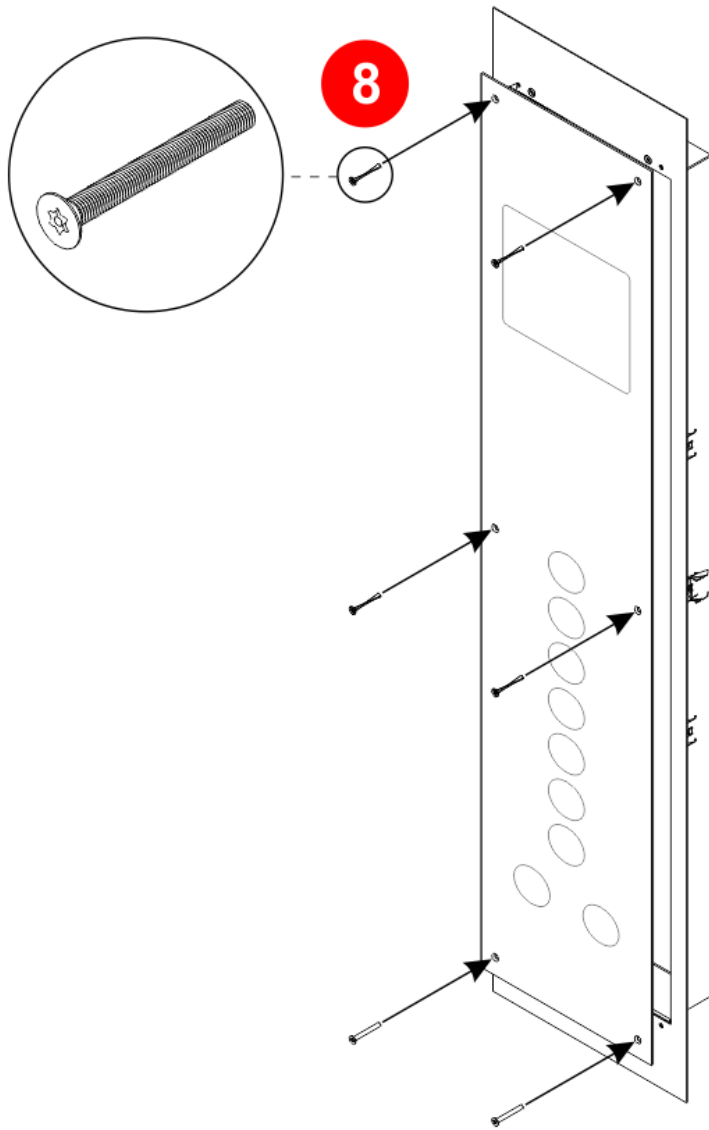
[Phase 3/4]



[Phase 5/6/7]



[Phase 8]



Updated on 19 Febbraio 2021