



Door Lock

Contents

[Safety and usage cautions](#)

[Parts identification](#)

[Placement of components](#)

[Certificates](#)



Safety and usage cautions

Before installing our products, we recommend you to consult the section about safety and usage cautions at the link below

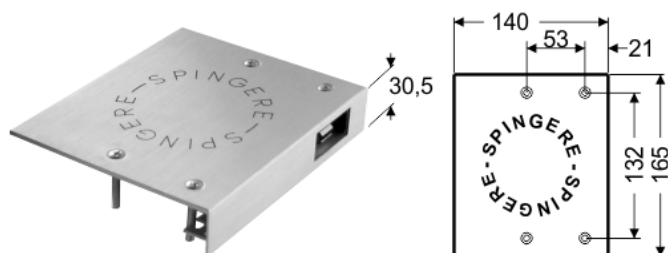


Parts identification

⊖ Mechanical part (semiautomatic)

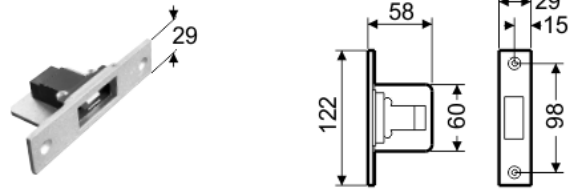
Recessed

2 IAX (anodized)



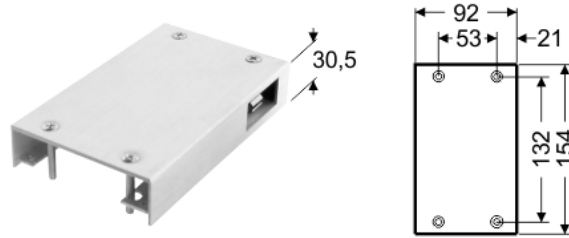
Recessed

2 IAS



Overlapped

2 SAS (anodized)

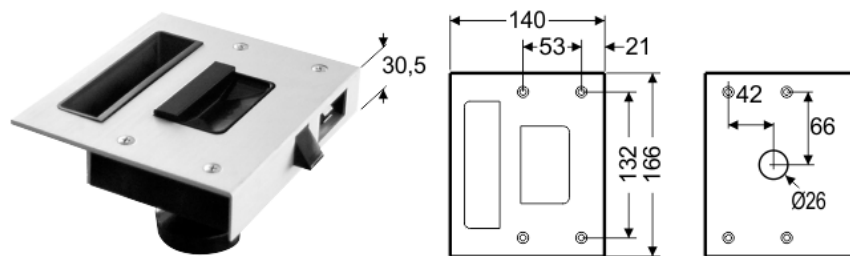


— Mechanical part (manual)

Recessed

2 IAP (anodized with knob)

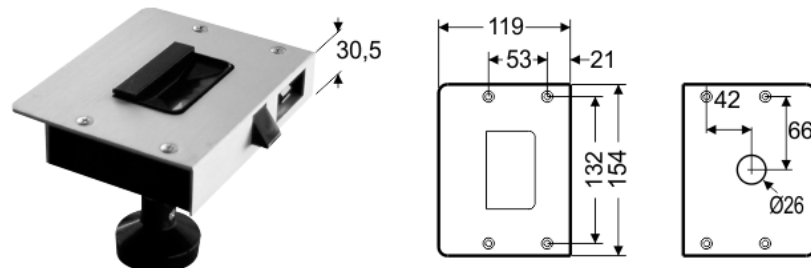
2 IAC (anodized with key)



Overlapped

2 SAP (anodized with knob)

2 SAC (anodized with key)



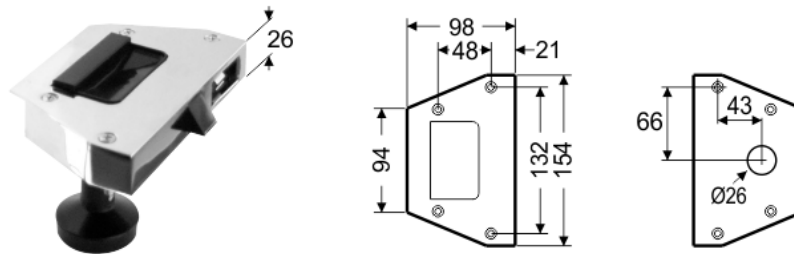
Overlapped

2 SCP (chromed with knob)

2 SOP (brassed with knob)

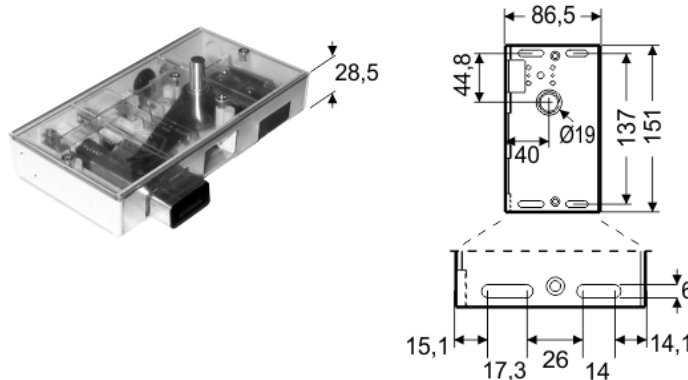
2 SCC (chromed with key)

2 SOC (brassed with key)



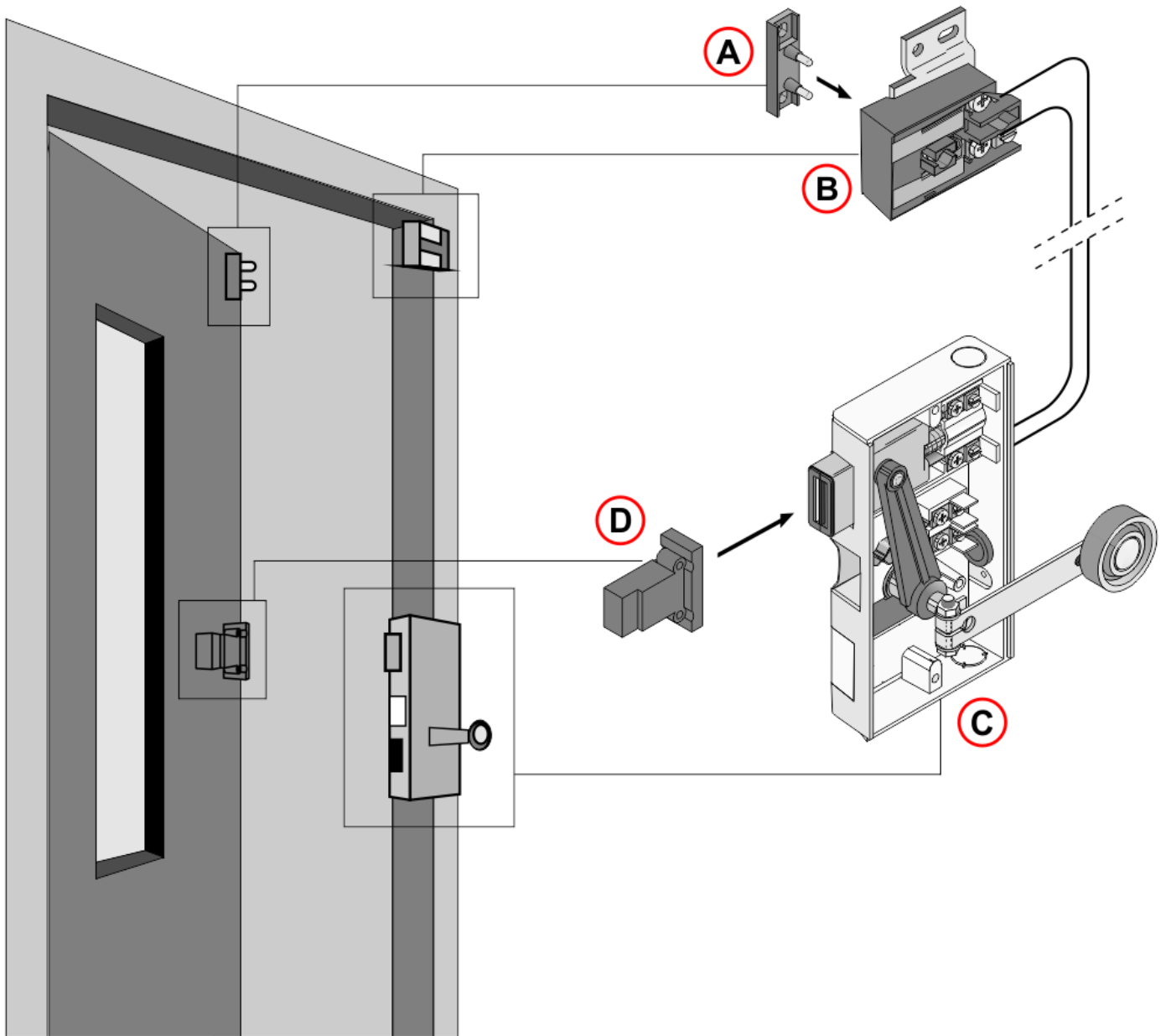
Electric part

81/1PEA



Placement of components

1. The removable bridge contact is fixed on the extreme upper part of the doorpost and the door closing contact is mounted on the door in the corresponding height – We suggest to mount the lock as shown in the second possibility, in order to avoid possible tampering and damage.
2. The external contact ** is integrating part of the approved lock. Such contact is supplied in the kit contained in pack of the same lock. The external contact **, once mounted, it finds lodging in the mechanical part * of the fixed lock on the swing door. Present the external contacts ** on the market lacking in brand CE, place in relief on the shell in thermoplastic material, they are not consistent to Directive 2006/42/CE. If you want to use mechanical parts * equipped with external contacts ** not approved, it is necessary to replace the external contact ** with the one contained in the kit of the new one door lock. Failure to replace said part entails non-compliance of the locking device with the requirements of Directive 2006/42 / EC, invalidating the certification report no CA50.00387.



A) – Door closing contact

B) – Removable bridge contact

C) – Lock

D) – External contact of lock (RM05 supplied / RM06 optional)

RM05	RM05	RM06	RM06
2 SCP	2 SCC	2 IAX	2 IAP
2 SOP	2 SOC	2 SAS	2 IAC
2 IAS		2 SAC	2 SAP

(*) Mechanical parts list of lock

RM05	RM06
Supplied	Optional

(**) External contact list

Certificates

Certificate of testing [Download](#)

EU type examination certificate [Download](#)

Updated on 25 Febbraio 2021