



Emergency lamp according to EN81-20

Contents

[Safety and usage cautions](#)

[Mounting](#)

[Wiring Instructions](#)



Safety and usage cautions

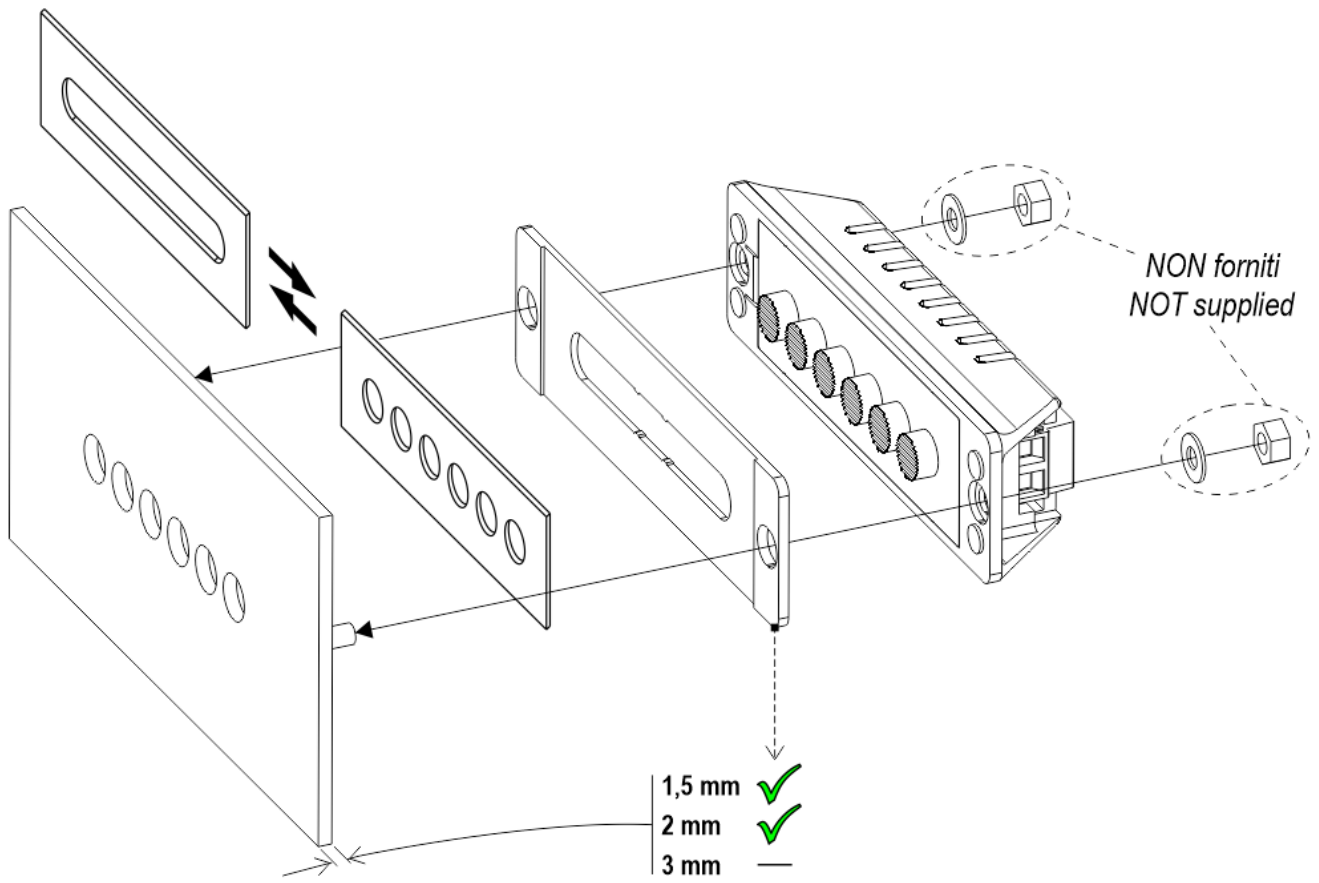
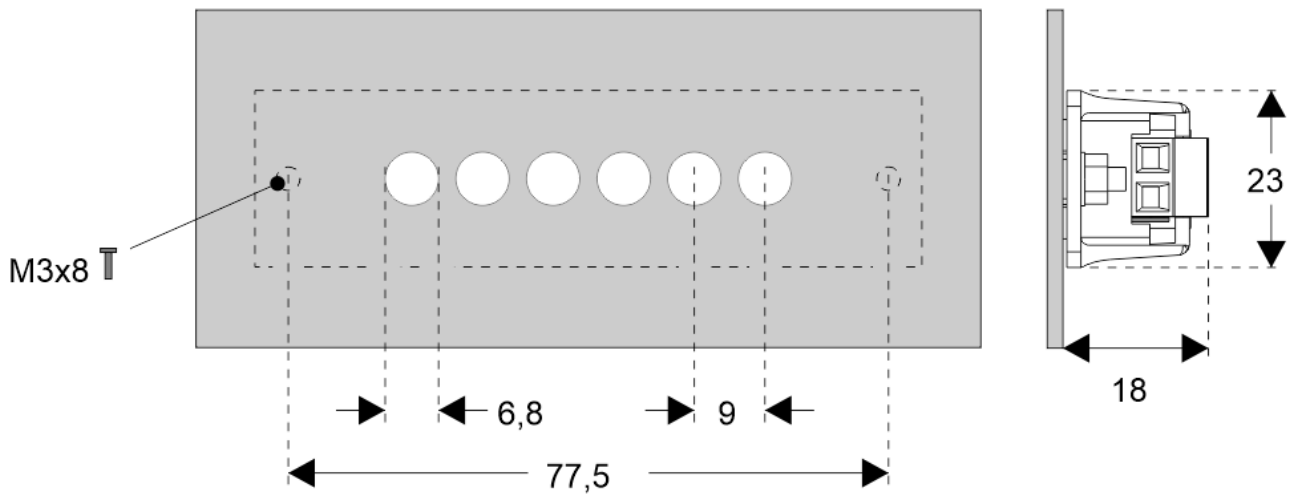
Before installing our products, we recommend you to consult the section about safety and usage cautions at the link below



Mounting

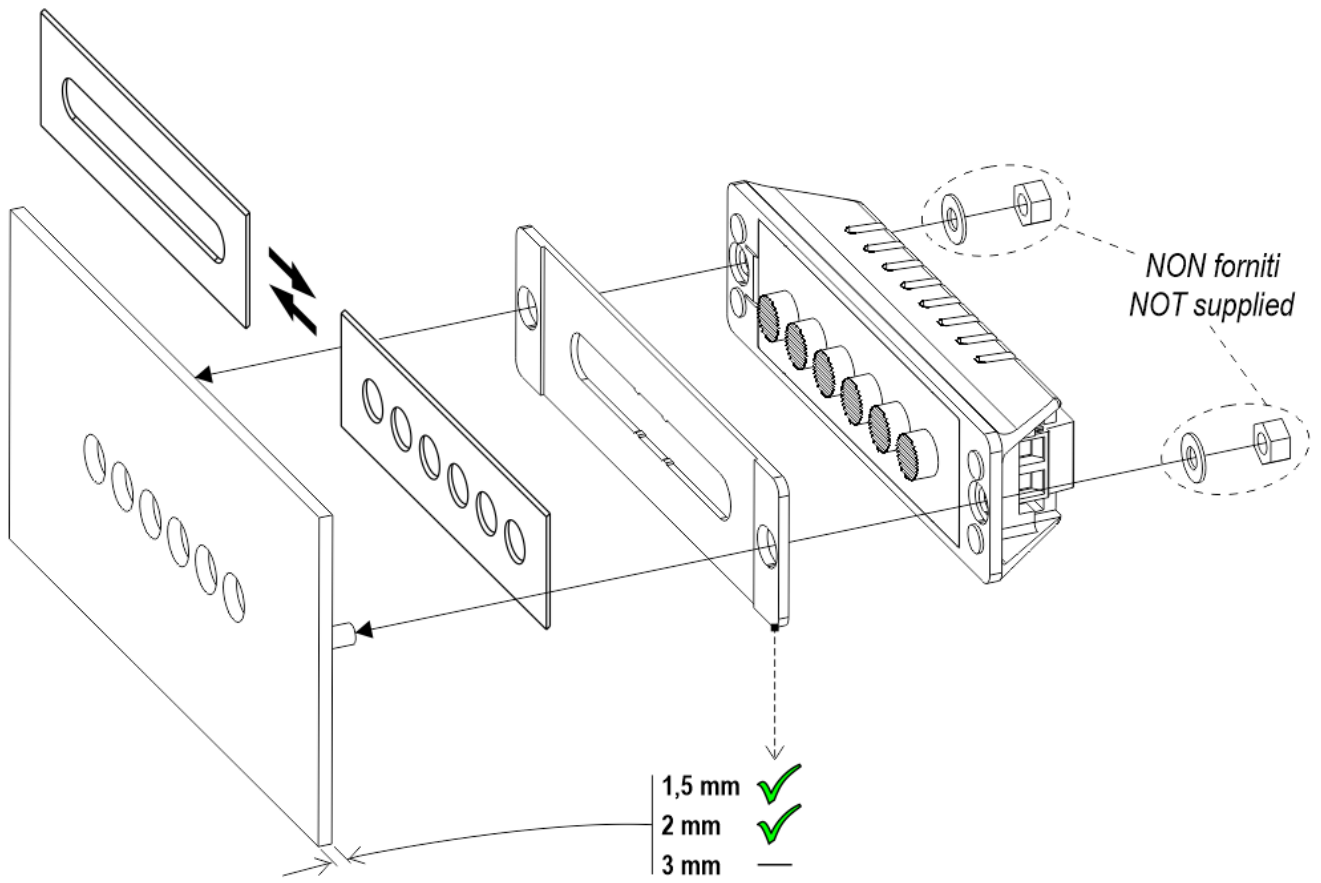
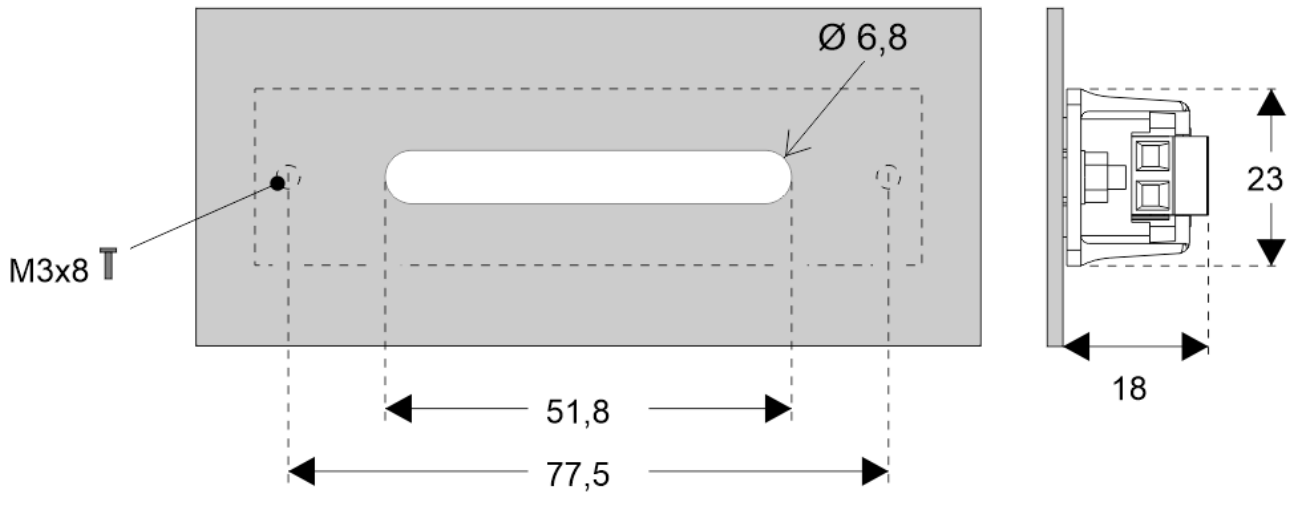
DOT version

With welded pins on 1,5/3 mm pushbutton panel



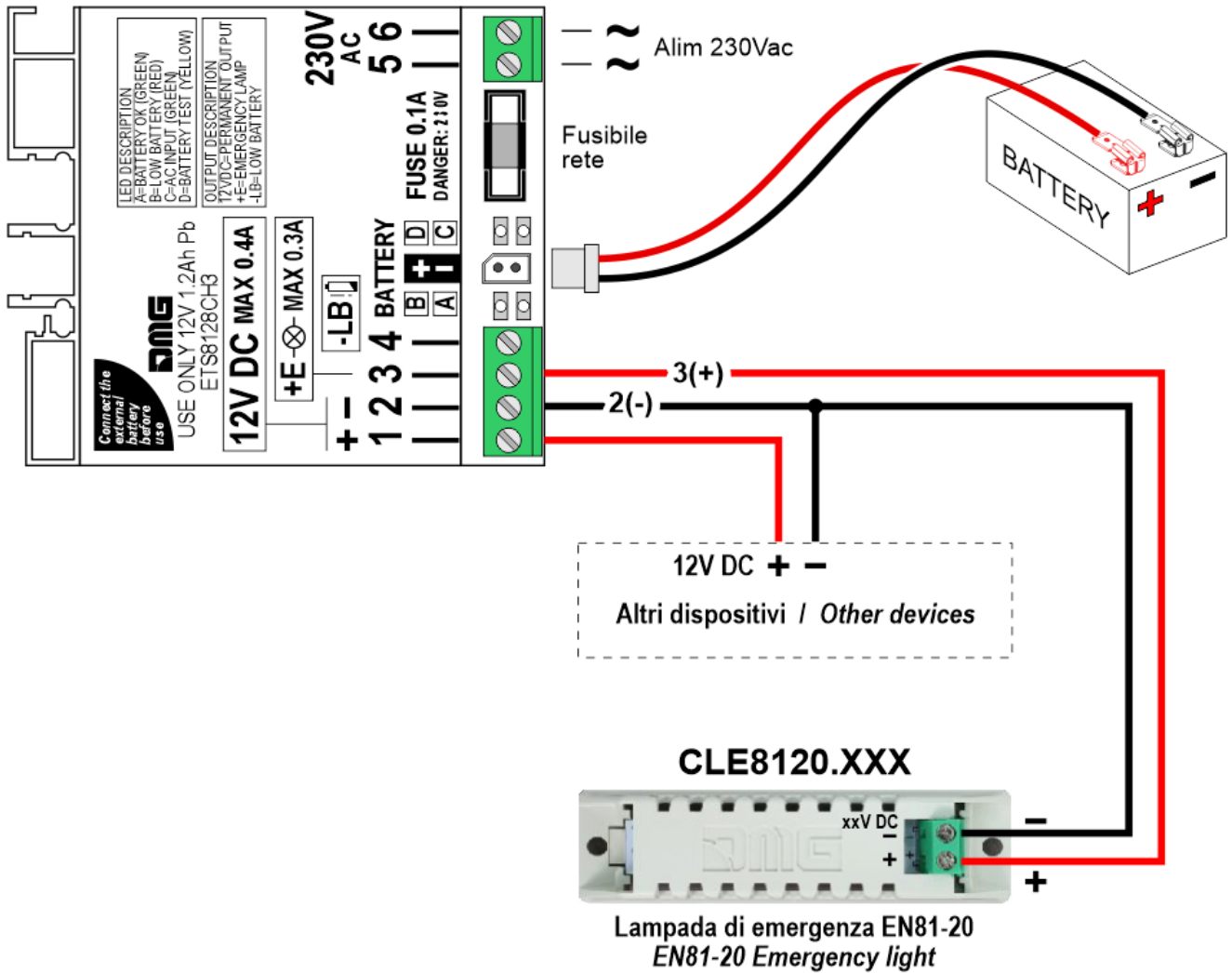
BAR version

With welded pins on 1,5/3 mm pushbutton panel



Wiring Instructions

ETS8128CH3



Power supply	12/24V dc
Absorption	12V: 100mA • 24V: 50mA
Illumination	6 white LED
Degree of protection	IP43/IP65 (DOT version), IP43 (BAR version)