



## Gilda CORNER

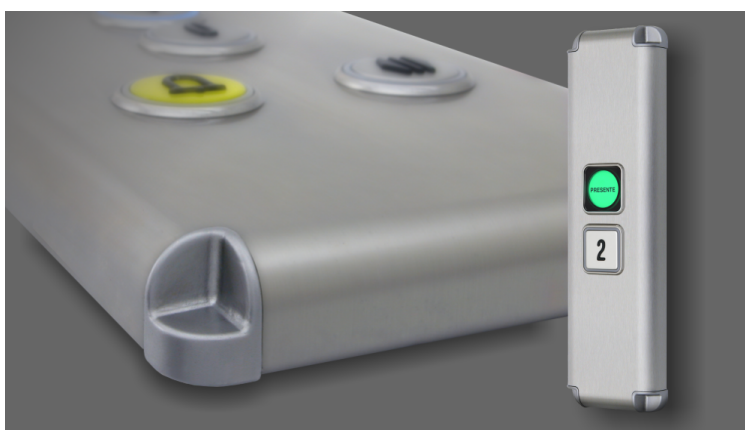
### Contents

[Safety and usage cautions](#)

[Mounting](#)

[Pushbutton panels width: 75 / 100 / 125 mm](#)

[Pushbutton panels width: 150 / 175 / 200 / 225 mm](#)



## Safety and usage cautions



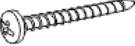

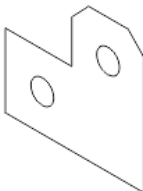
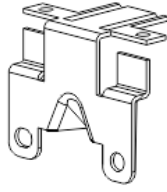

Before installing our products, we recommend you to consult the section about safety and usage cautions at the link below



## Mounting

**Pushbutton panels width: 75 / 100 / 125 mm**

Fixing kit

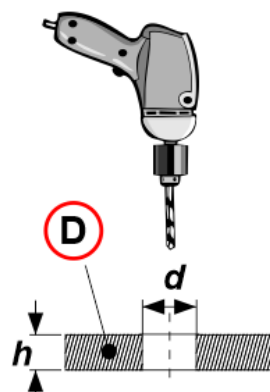
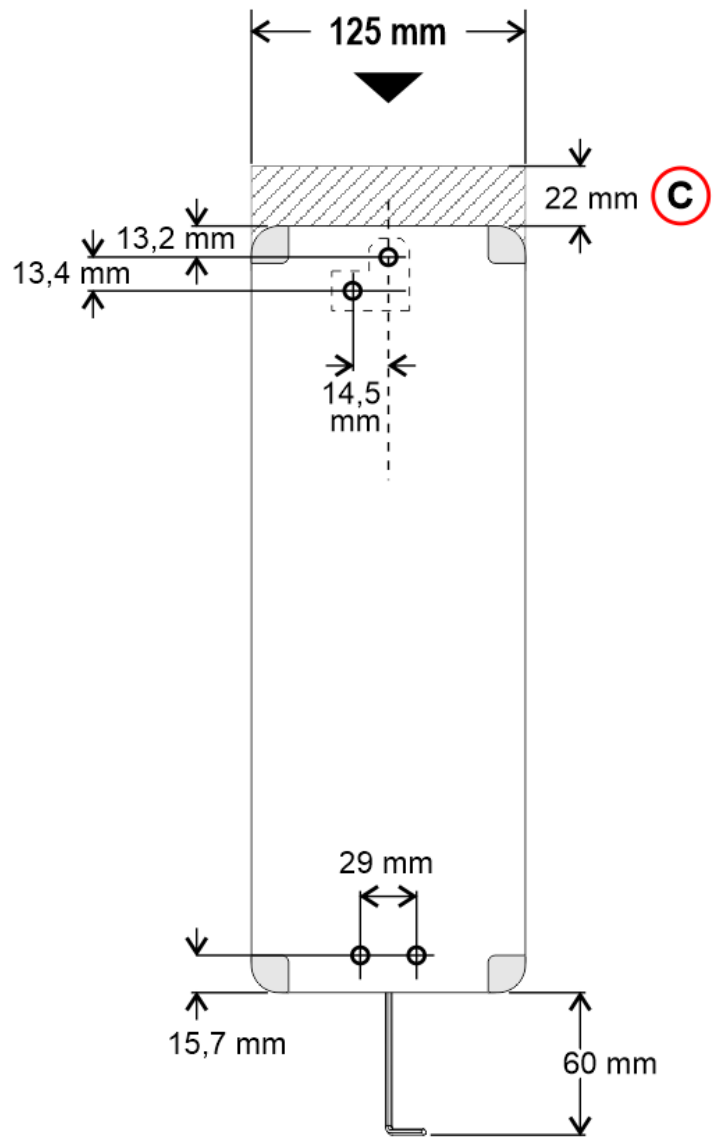
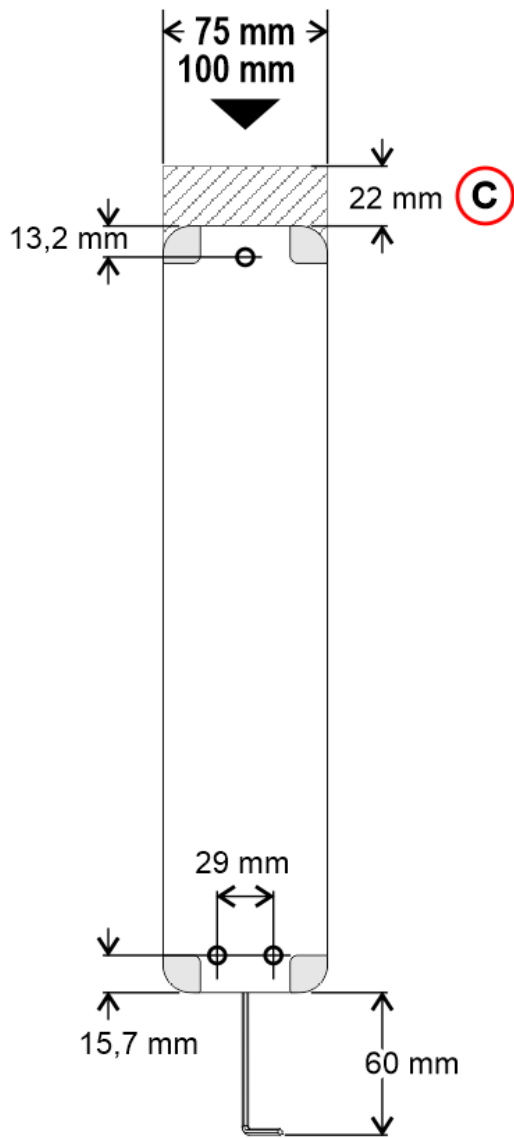
				<b>Ref.</b>	<b>Q.ty</b>
				▼	▼
<b>A</b>	—	3,9 x 22		<b>A</b>	4
				<b>B</b>	2
<b>B</b>	—	4 x 40		<b>C</b>	4
	—	6 mm		<b>D</b>	4
				<b>E</b>	1
				<b>F</b>	1
				<b>G</b>	1

A) – For door frame fixing / wall of elevator car fixing

B) – For wall fixing

---

**Table of reference holes**

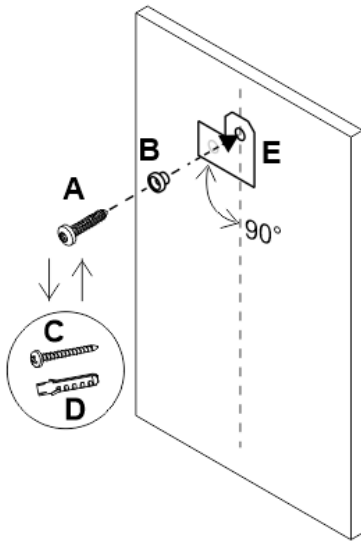
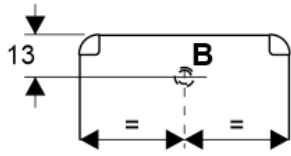


$h$	$d$
0,5 ÷ 0,9 mm	2,95 mm
0,9 ÷ 1,2 mm	3,10 mm
1,2 ÷ 1,5 mm	3,25 mm
1,5 ÷ 1,9 mm	3,50 mm
1,9 ÷ 2,7 mm	3,60 mm

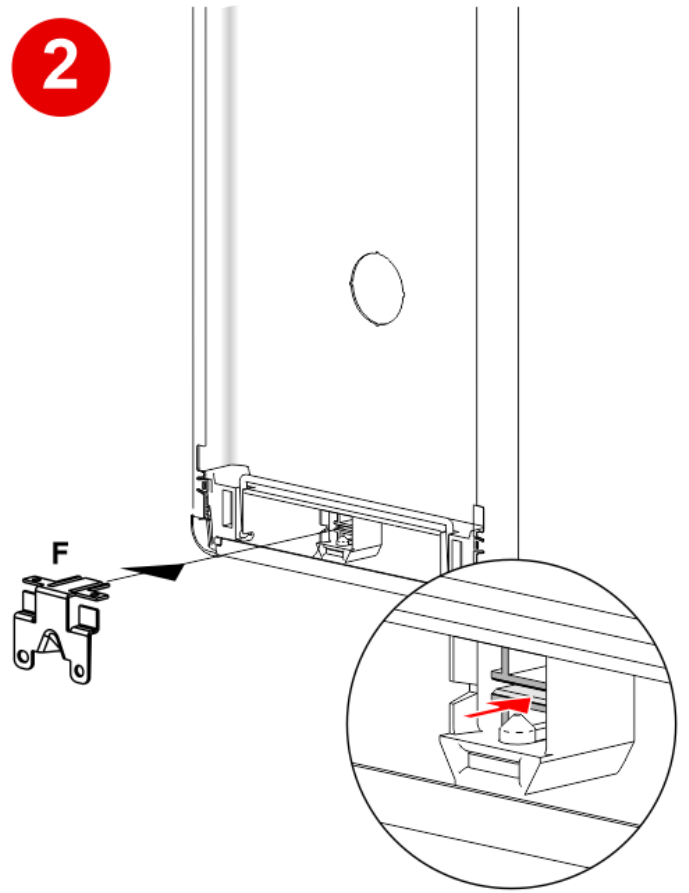
C) – Free area for fixing

D) – Wall of elevator car / door frame

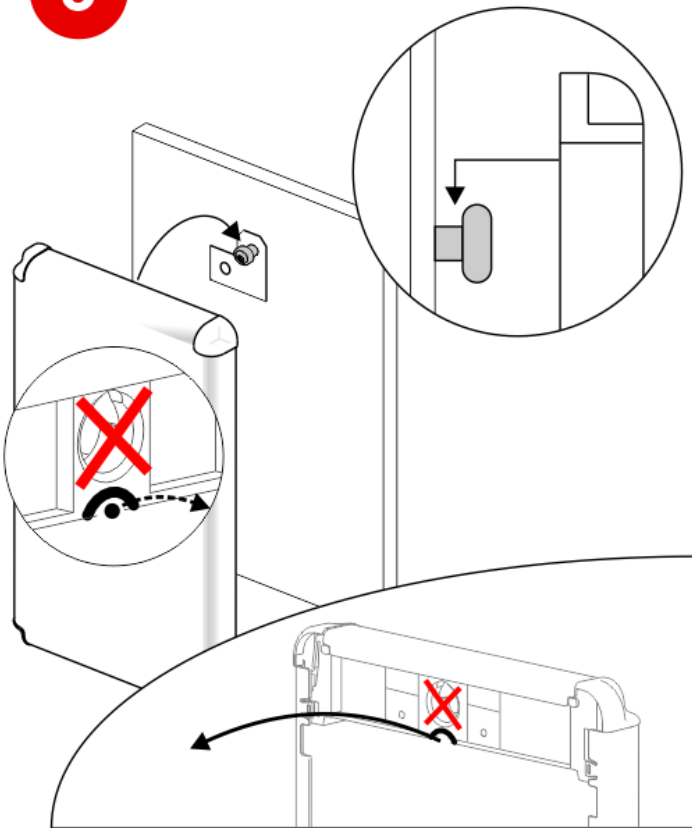
1



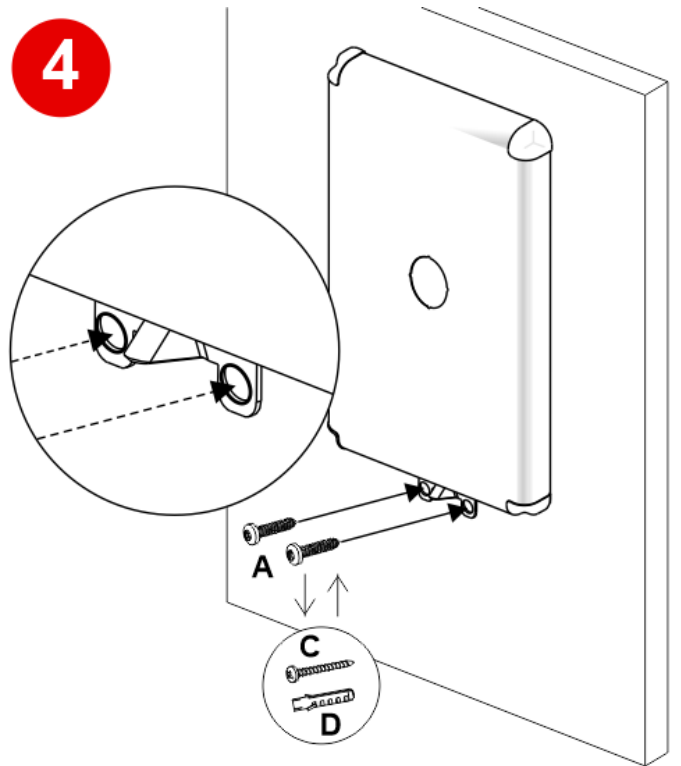
2

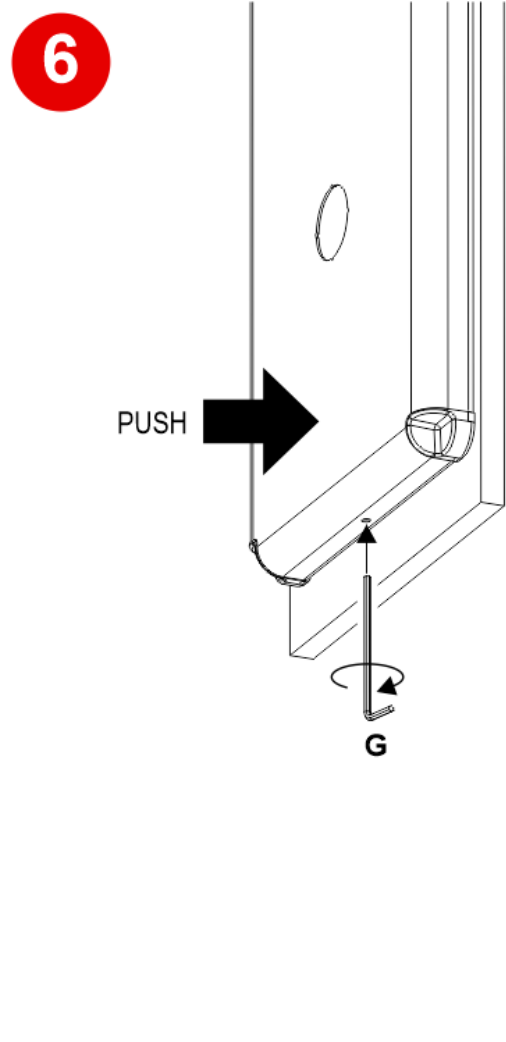
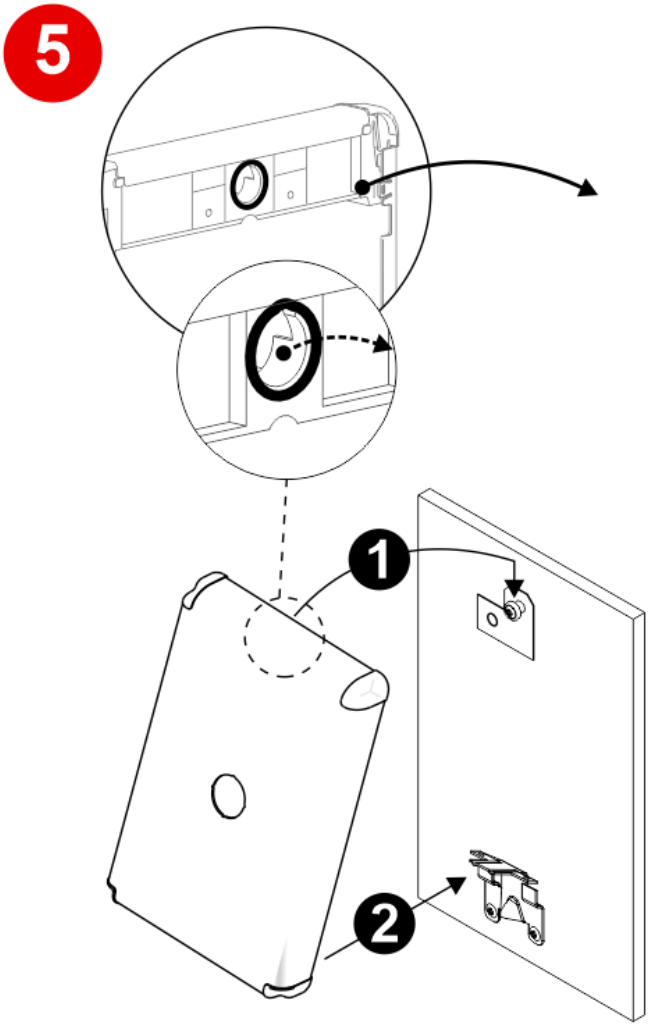


3







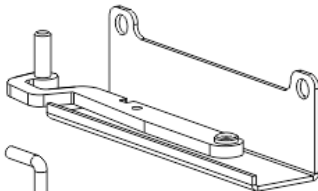

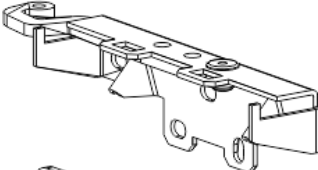
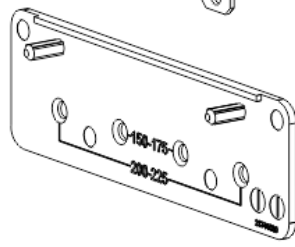

4





**Pushbutton panels width: 150 / 175 / 200 / 225 mm**

Fixing kit

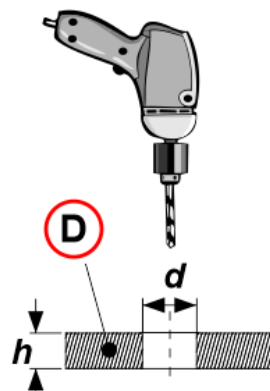
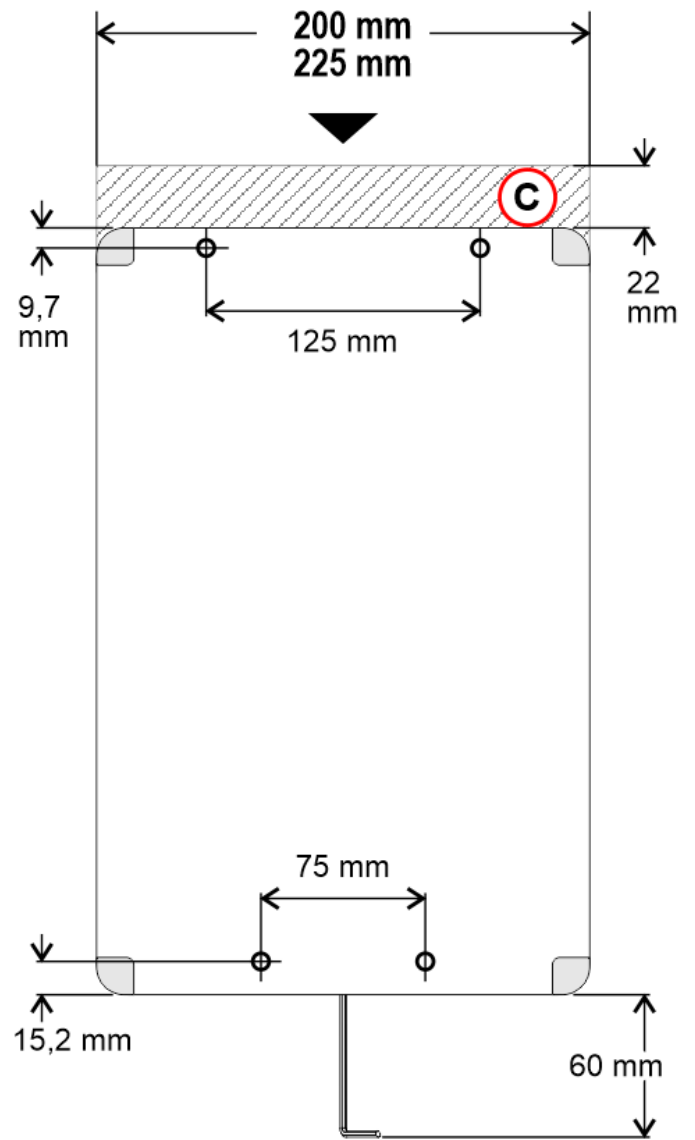
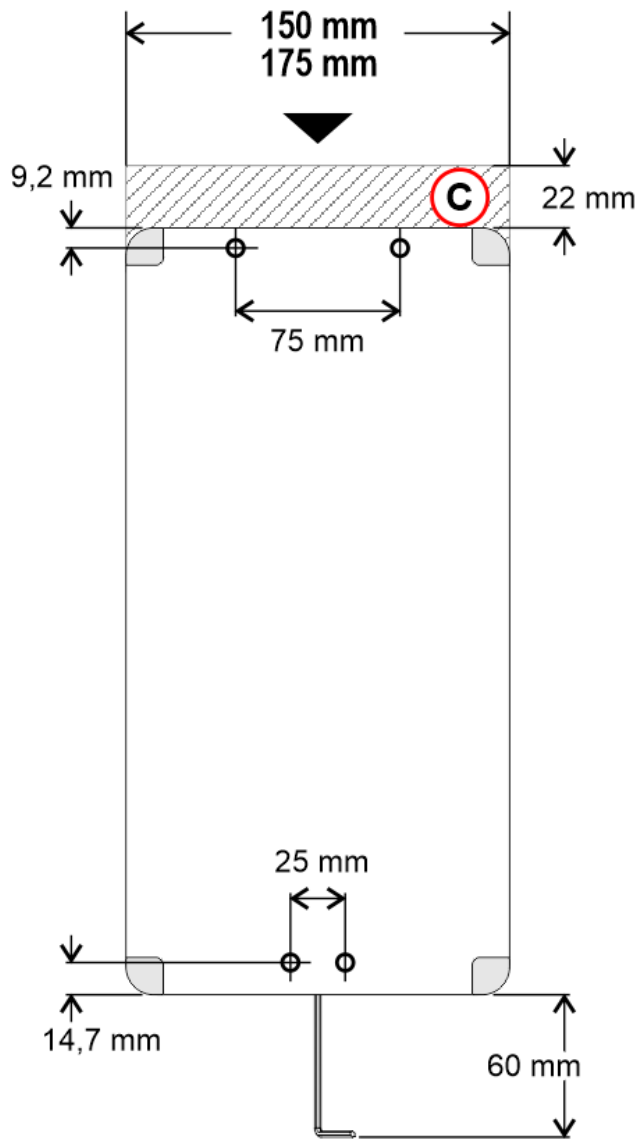
				<u>Ref.</u>	<u>Q.ty</u>
				▼	▼
<b>A</b>	3,9 x 22			<b>A</b>	4
				<b>B</b>	2
<b>B</b>	4 x 40			<b>C</b>	4
	6 mm			<b>D</b>	4
				<b>E</b>	1
				<b>F</b>	1
				<b>G</b>	1
				<b>H</b>	1
				<b>L</b>	1

A) – For door frame / elevator car wall fixing

B) – For wall fixing

---

#### Table of reference holes

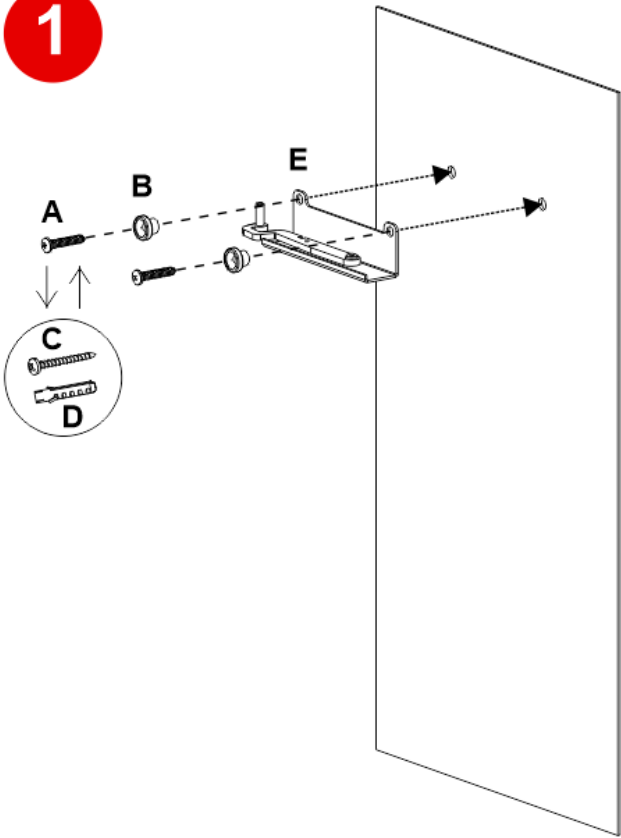


$h$	$d$
0,5 ÷ 0,9 mm	2,95 mm
0,9 ÷ 1,2 mm	3,10 mm
1,2 ÷ 1,5 mm	3,25 mm
1,5 ÷ 1,9 mm	3,50 mm
1,9 ÷ 2,7 mm	3,60 mm

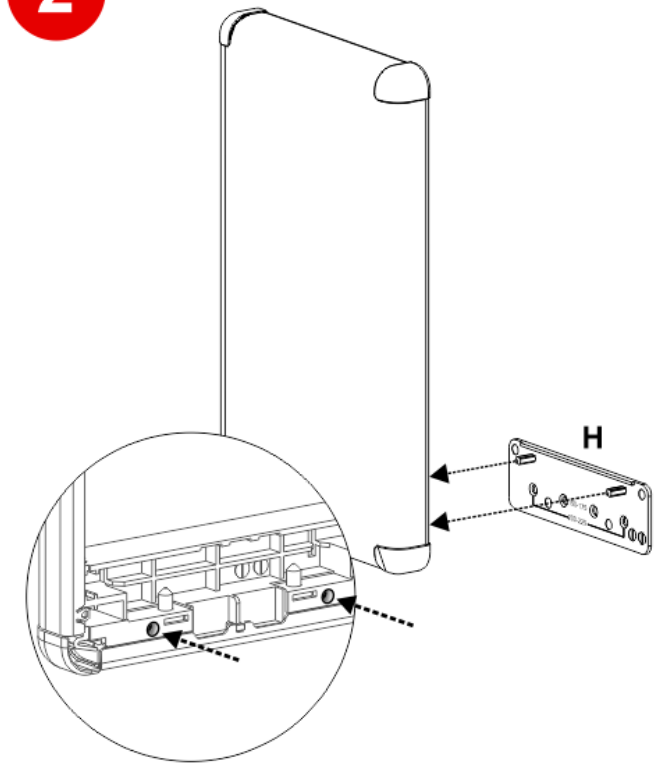
C) – Free area for fixing

D) – Wall of elevator car / door frame

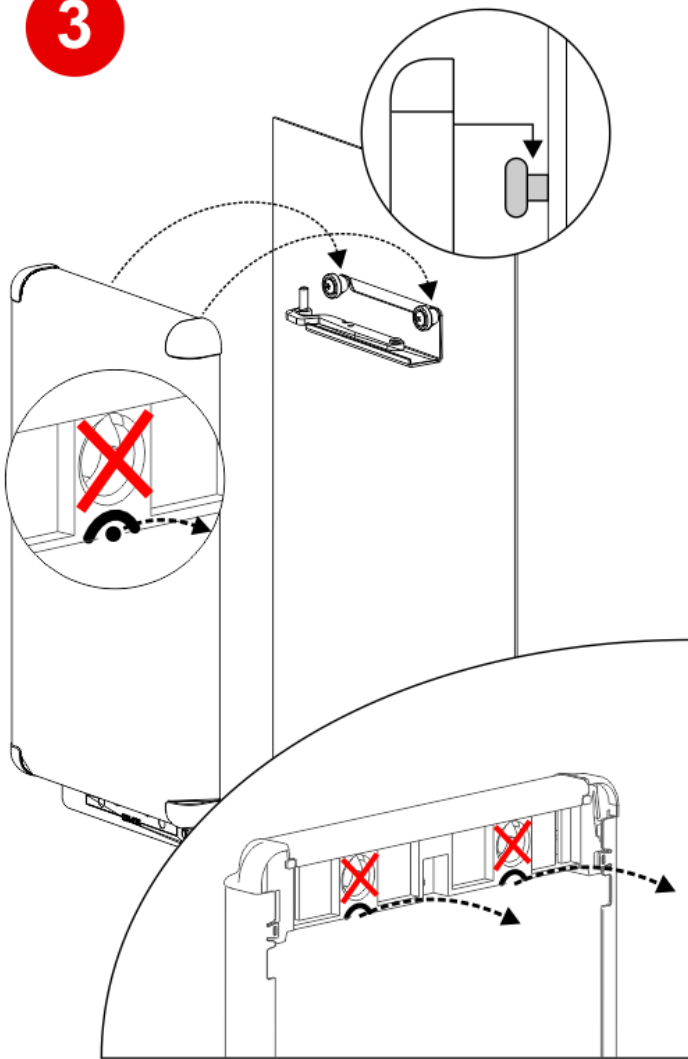
1



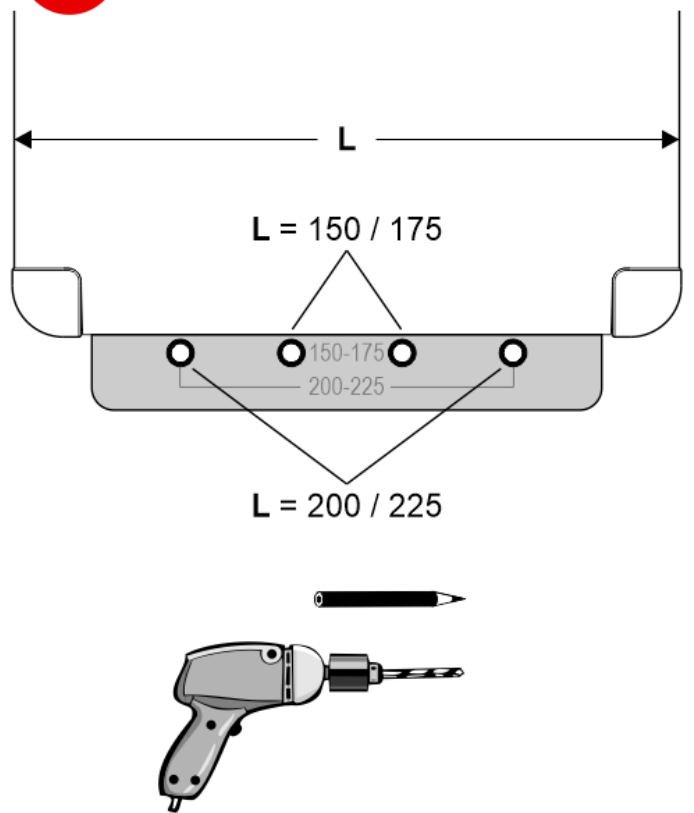
2



3

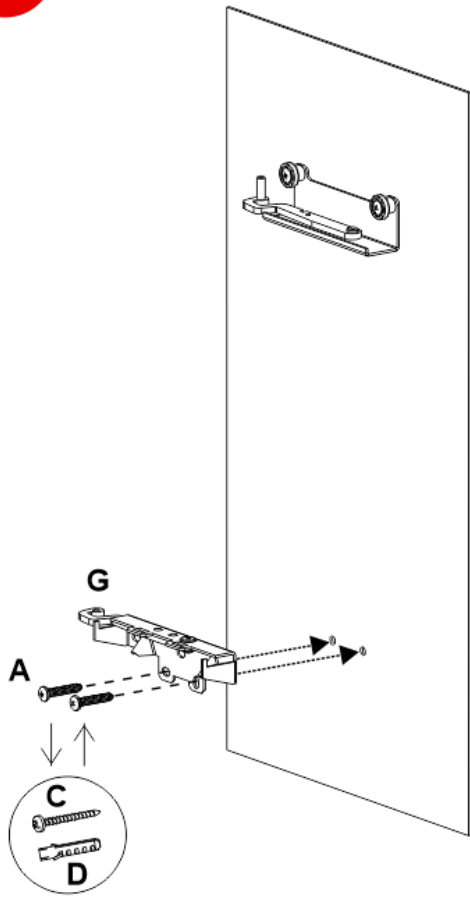


4

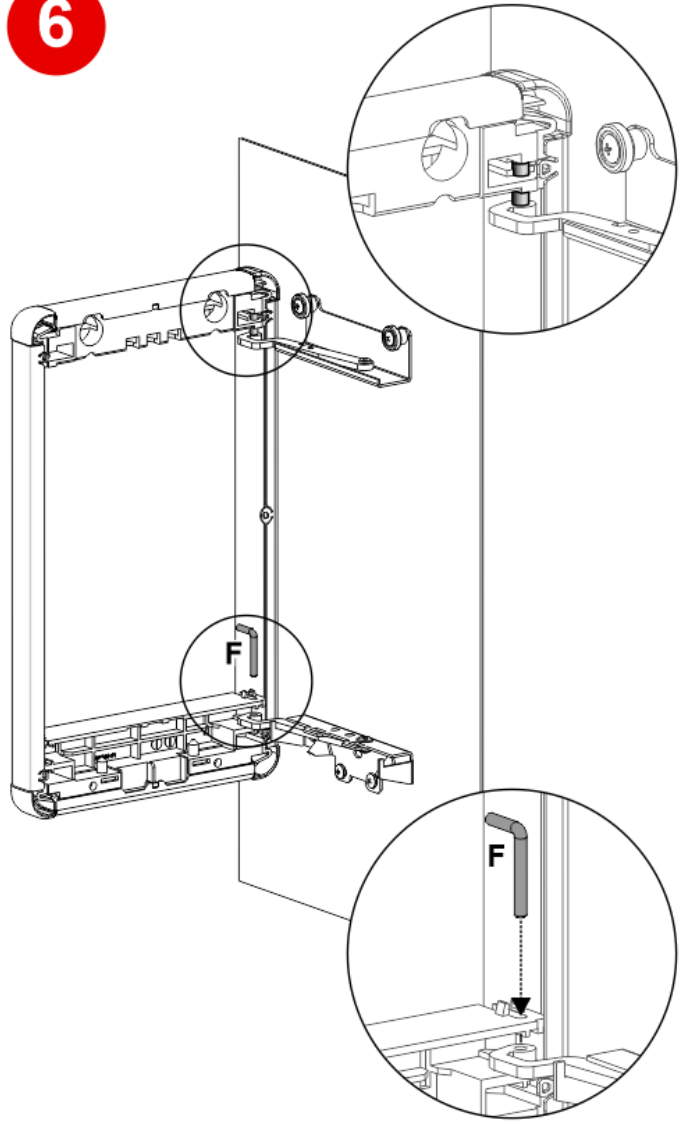




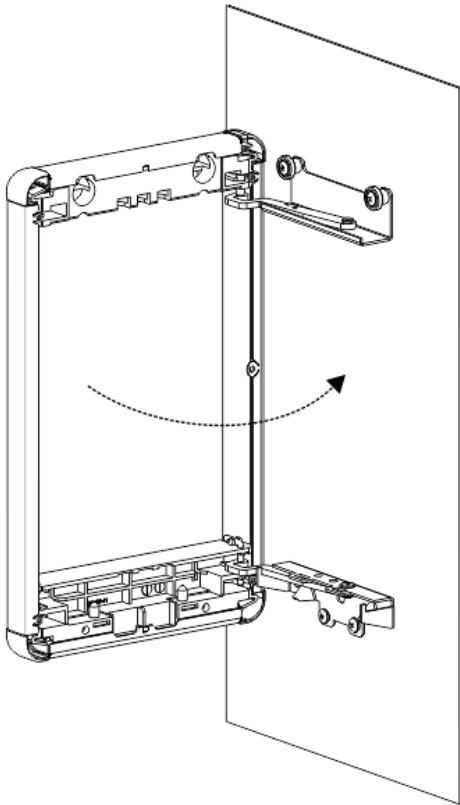
5



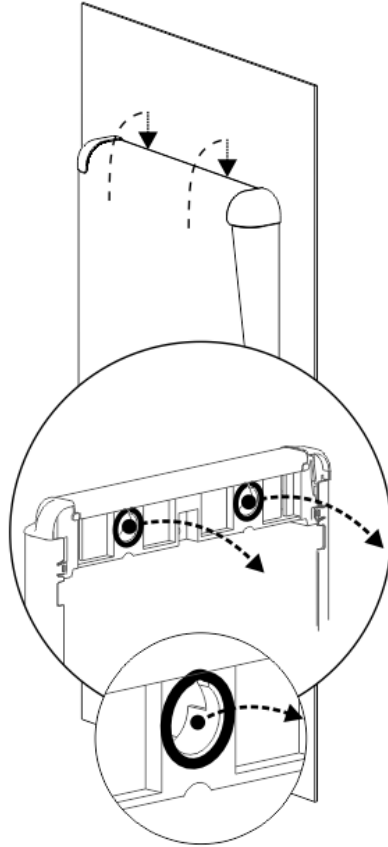
6



7



8



9

