



Gilda TM

Contents

[Safety and usage cautions](#)

[Mounting](#)

[Pushbutton panels width: 65 / 100 mm](#)

[Pushbuton panels width: 150 mm](#)

[Pushbutton panels width: 200 mm](#)



Safety and usage cautions










Before installing our products, we recommend you to consult the section about safety and usage cautions at the link below



Mounting

Pushbutton panels width: 65 / 100 mm

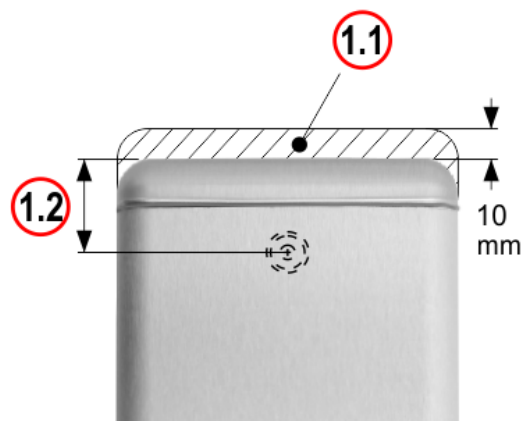
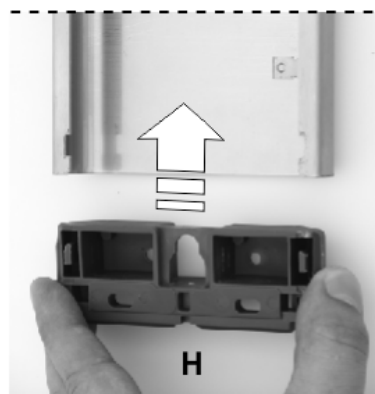
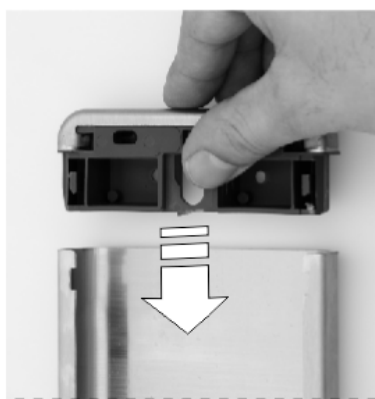
Fixing kit

			<u>Ref.</u>	<u>Q.ty</u>
X	—	Ø 4 x 40 mm 	A	3x
		Ø 6 mm 	B	3x
Y	—	Ø 3,9 x 22 mm 	C	3x
		Ø 4 x 16 mm 	D	1x
			E	1x
			F	1x
			G	1x
			H	1x
			I	1x

X) – For wall fixing

Y) – For for fixing on the door frame / for fixing on the elevator car wall

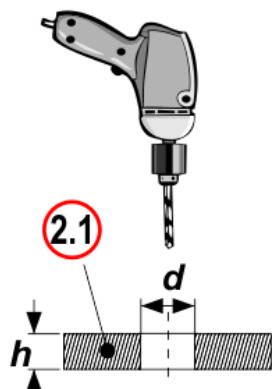
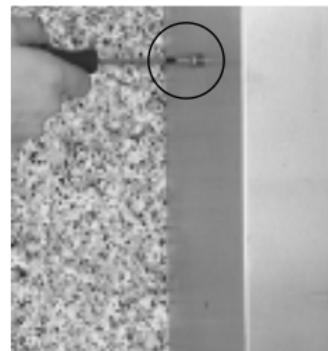
1



1.1) – Free area for fixing

1.2) – 24 mm (for 65 mm width plates) / 30 mm (for 100 mm width plates)

2



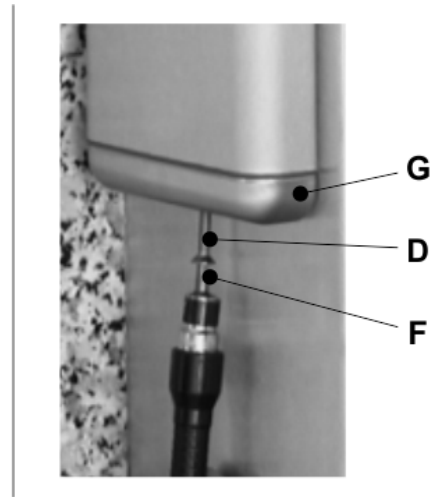
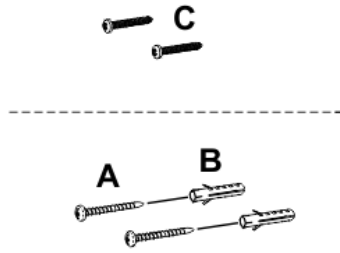
<i>h</i>	<i>d</i>
0,5 ÷ 0,9 mm	2,95 mm
0,9 ÷ 1,2 mm	3,10 mm
1,2 ÷ 1,5 mm	3,25 mm
1,5 ÷ 1,9 mm	3,50 mm
1,9 ÷ 2,7 mm	3,60 mm



3



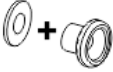




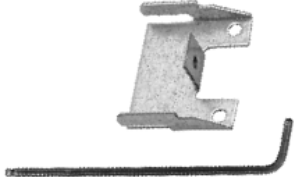


4

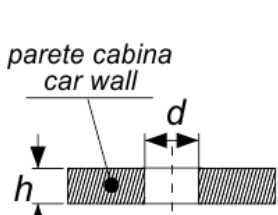


Pushbutton panels width: 150 mm

Fixing kit

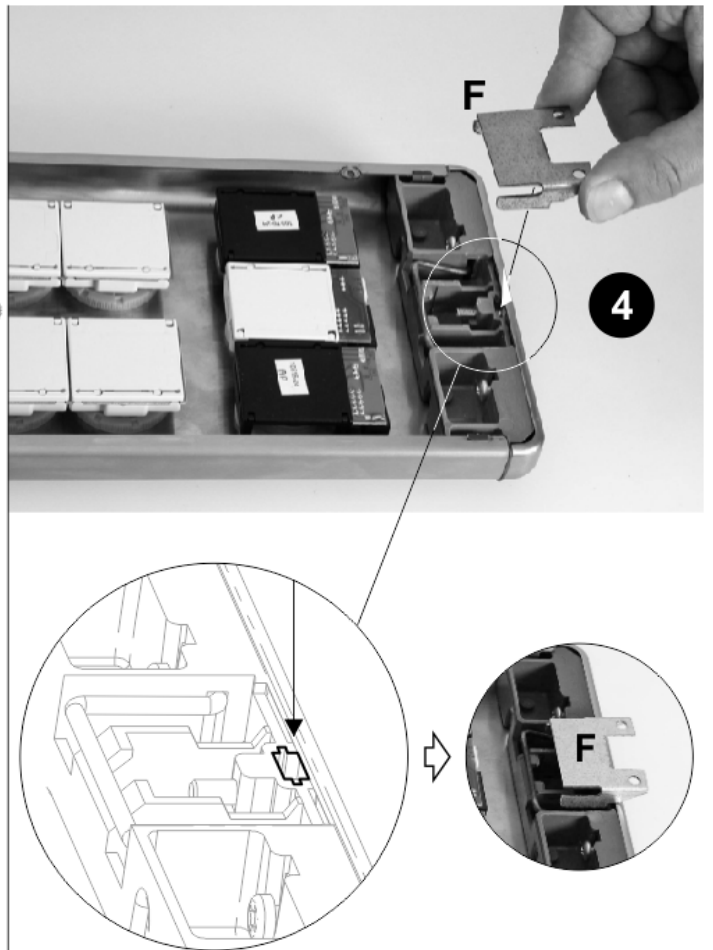
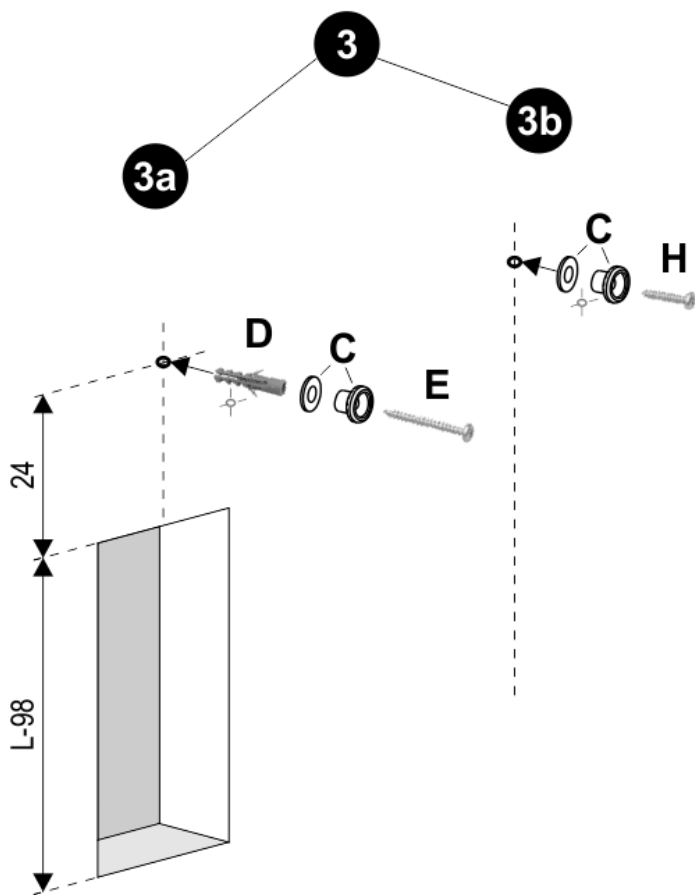
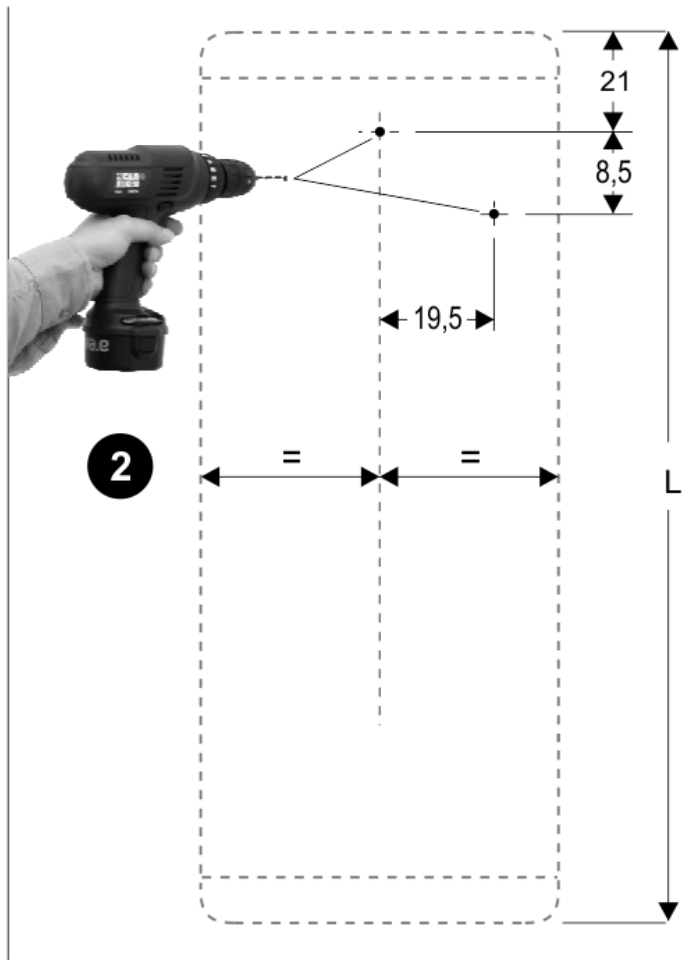
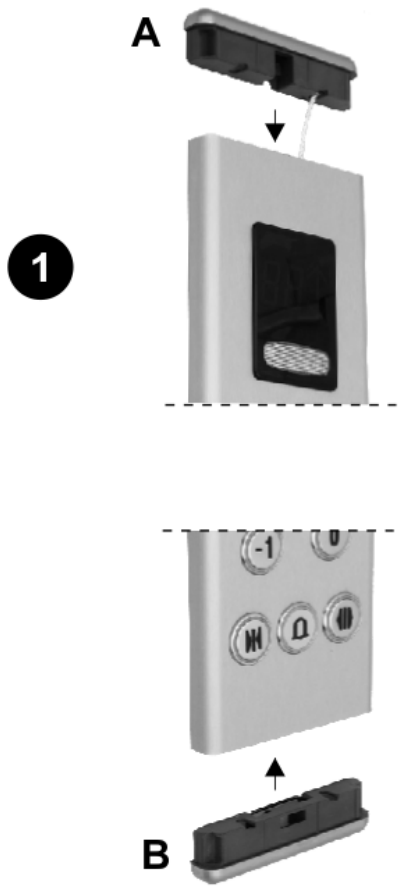
	Q.tà Q.ty	Rif. Ref.
	1	A
	1	B
	1	C
X 	4	D
	4	E

	Q.tà Q.ty	Rif. Ref.
	1	F
	1	G
Y 	4	H

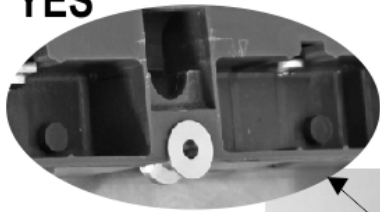
	<i>h</i>	<i>d</i>
	0,5 ÷ 0,9 mm	2,95 mm
	0,9 ÷ 1,2 mm	3,10 mm
	1,2 ÷ 1,5 mm	3,25 mm
	1,5 ÷ 1,9 mm	3,50 mm
	1,9 ÷ 2,7 mm	3,60 mm

X) – For wall fixing

Y) – For for fixing on the door frame / for fixing on the elevator car wall

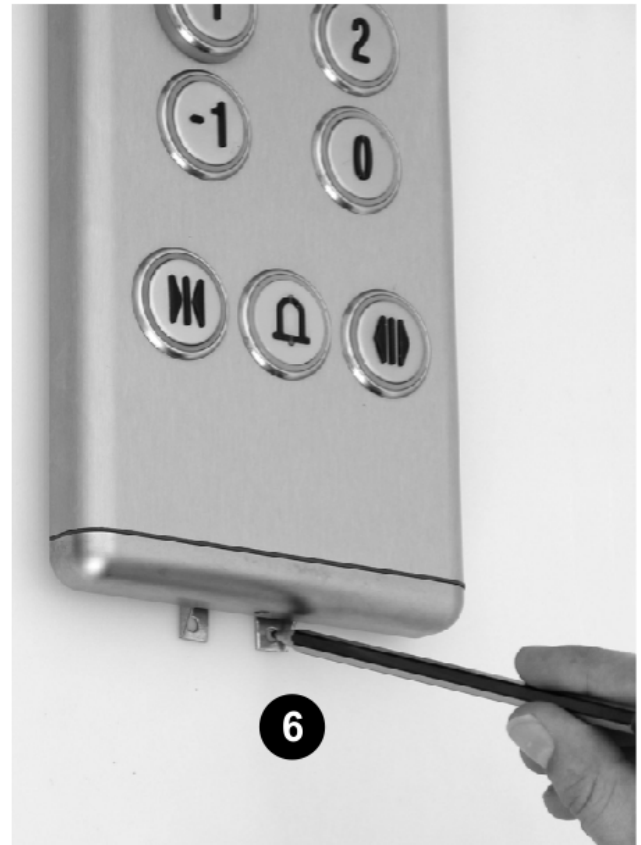
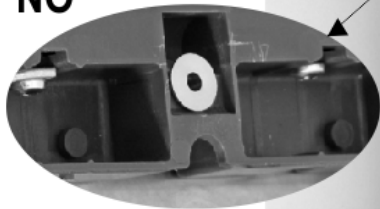


YES

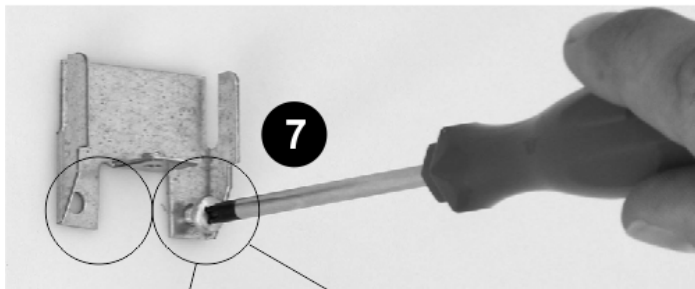


5

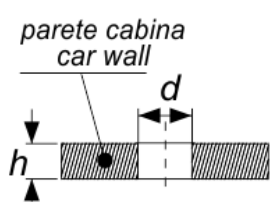
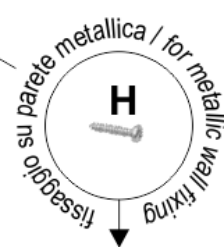
NO



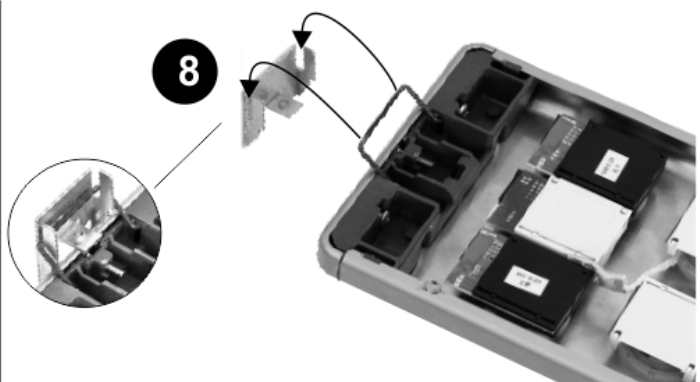
6



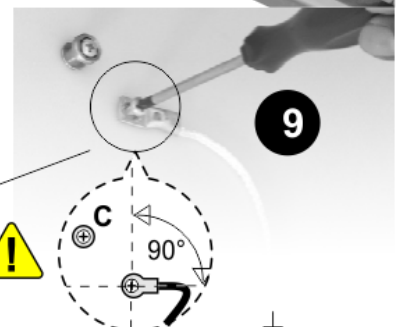
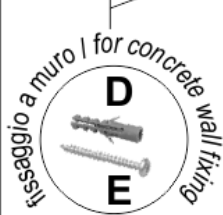
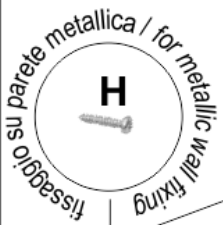
7



<i>h</i>	<i>d</i>
0,5 ÷ 0,9 mm	2,95 mm
0,9 ÷ 1,2 mm	3,10 mm
1,2 ÷ 1,5 mm	3,25 mm
1,5 ÷ 1,9 mm	3,50 mm
1,9 ÷ 2,7 mm	3,60 mm



8

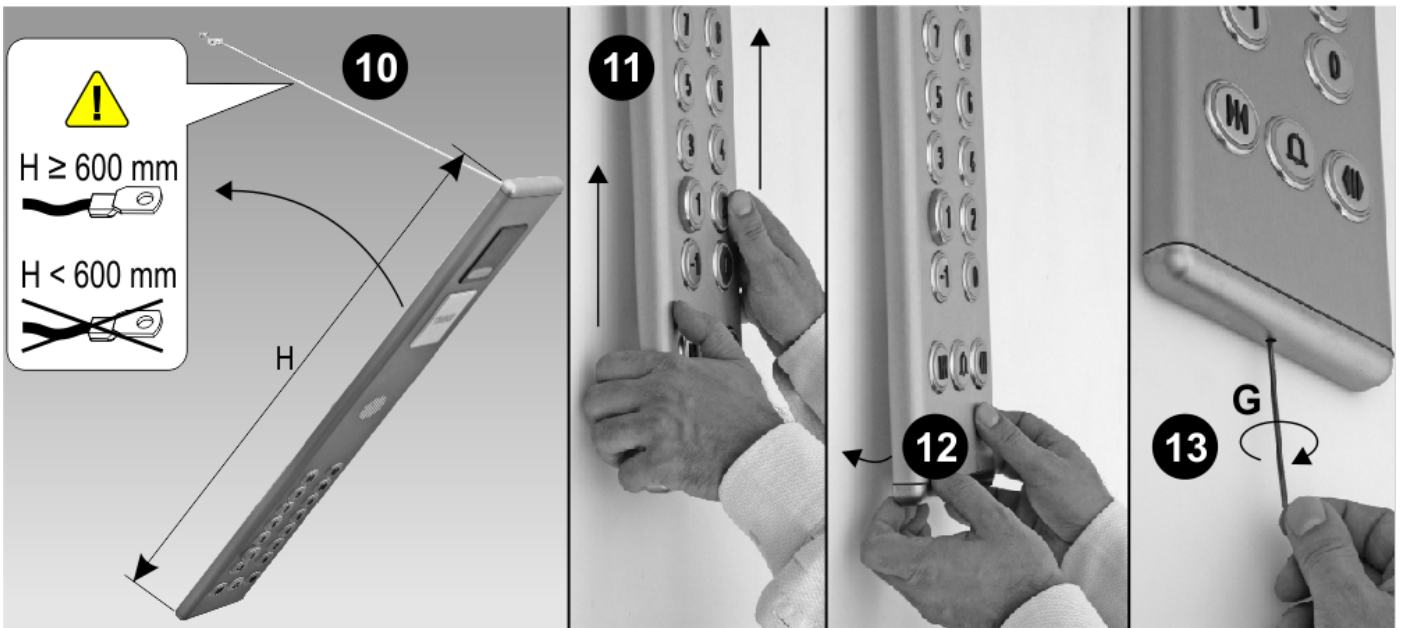


9



H ≥ 600 mm

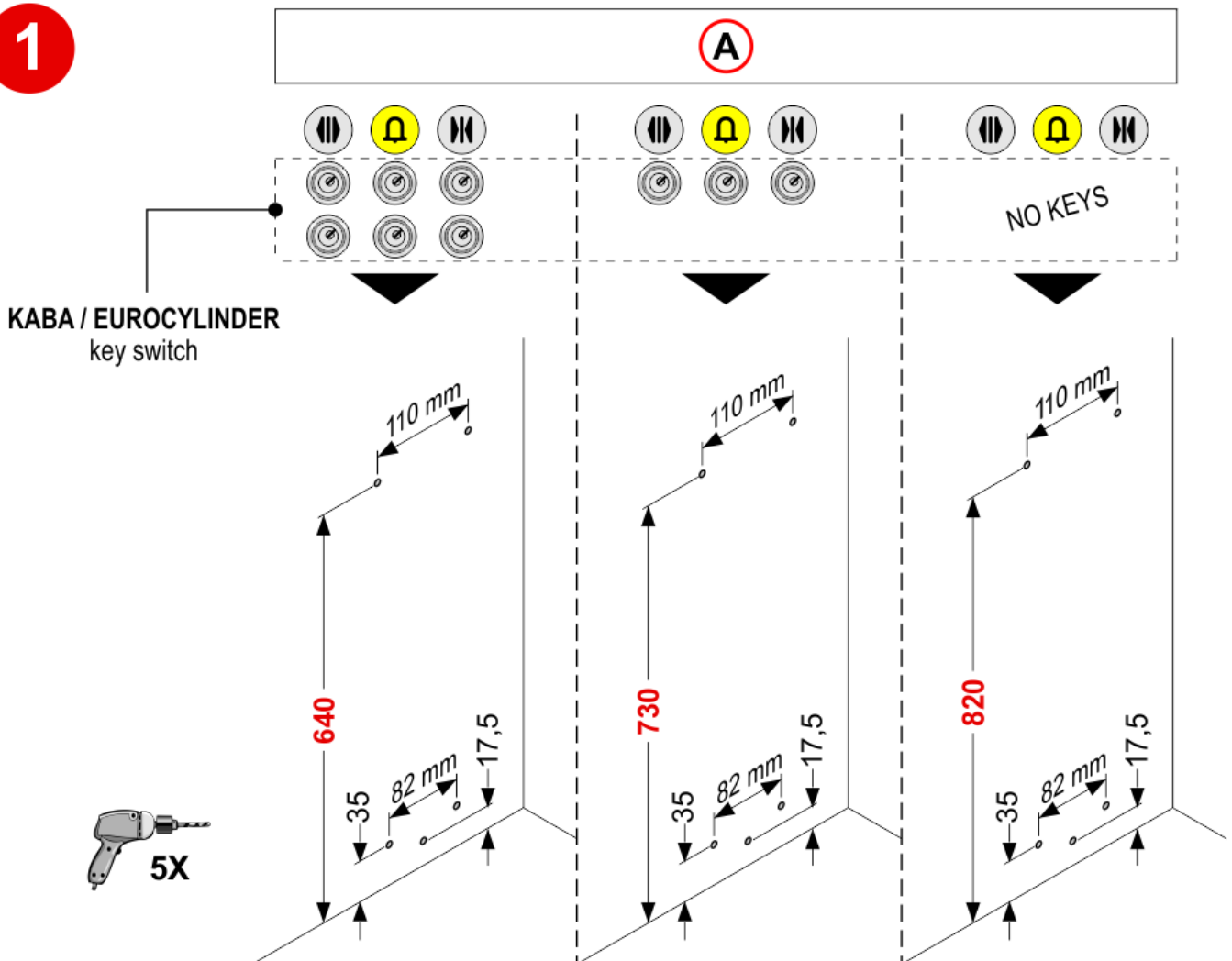
H < 600 mm



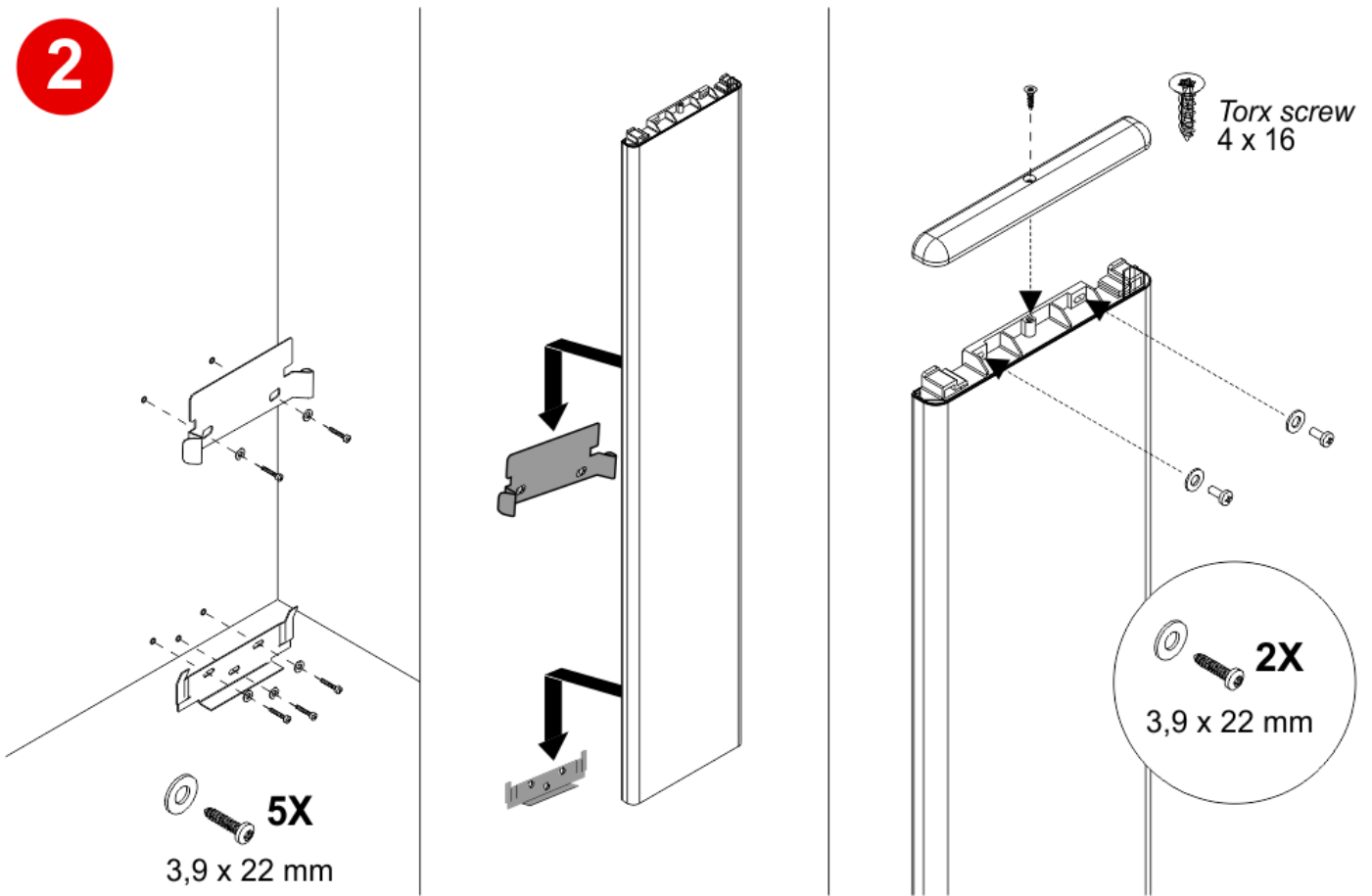
Pushbutton panels width: 200 mm

– Long button panel (column)

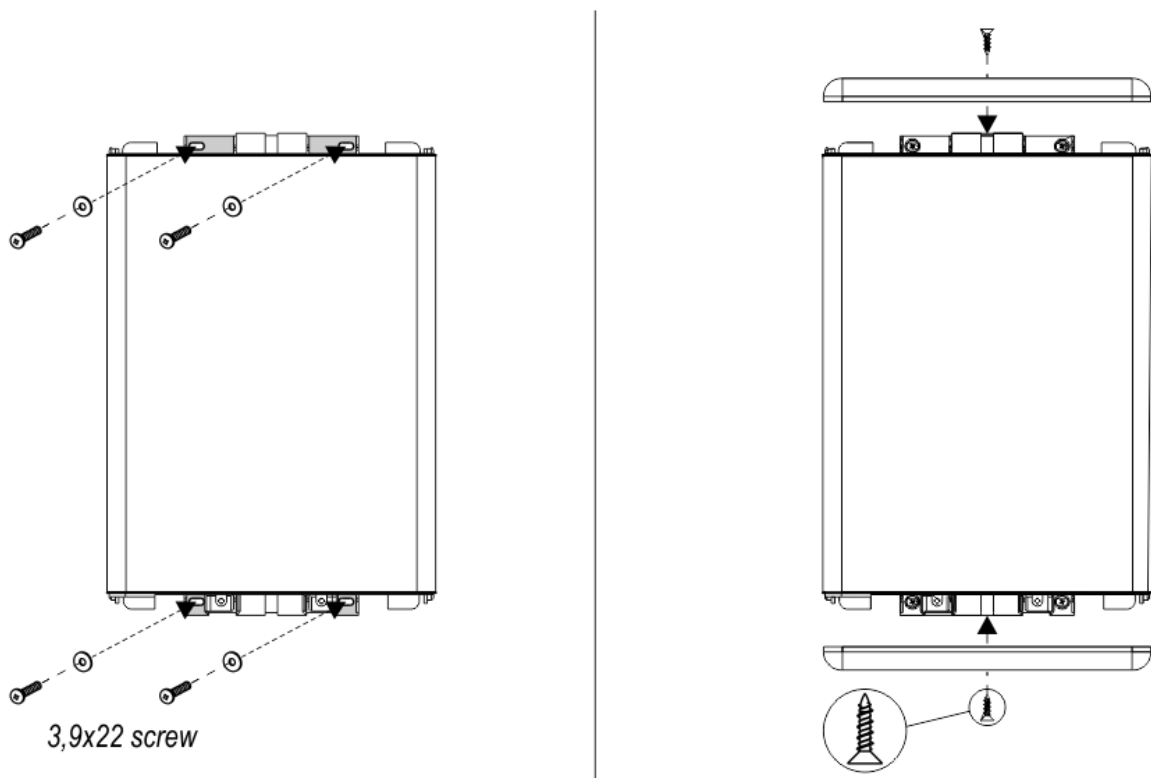
1



2



– Short button panel (Fixed)



– Short button panel (Hinge opening)

