



Matisse DSD Display

Contents

[Safety and usage cautions](#)

[Mounting](#)

[Wiring Instructions](#)

[Power Supply](#)

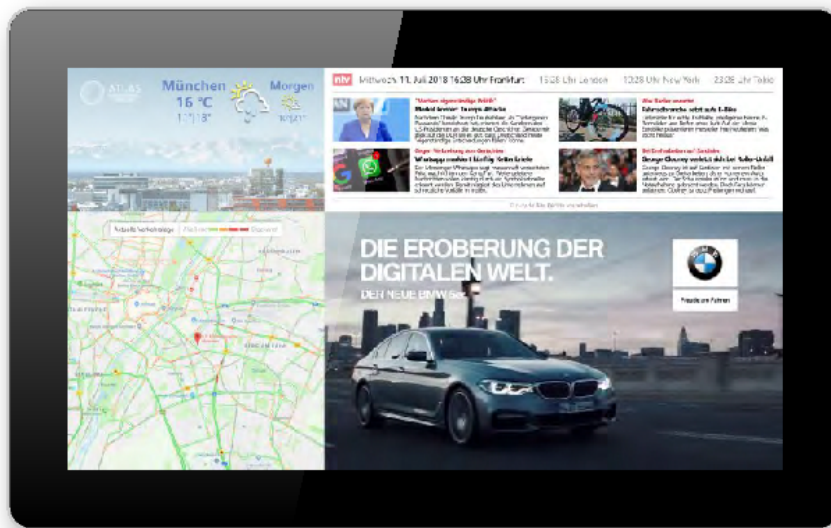
[Network Connections](#)

[Pairing with MosaicONE software](#)

[Datasheet](#)



(Digital Signage Display)



✓ Updated to EN81-28:2018 regulation.



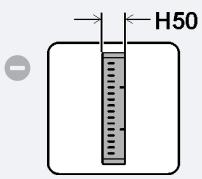
Safety and usage cautions

Before installing our products, we recommend you to consult the section about safety and usage cautions at the link below.

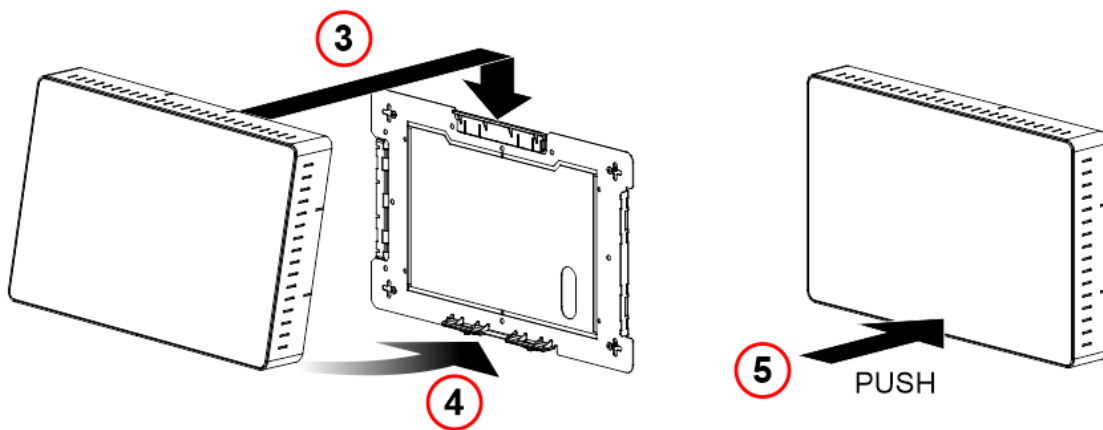
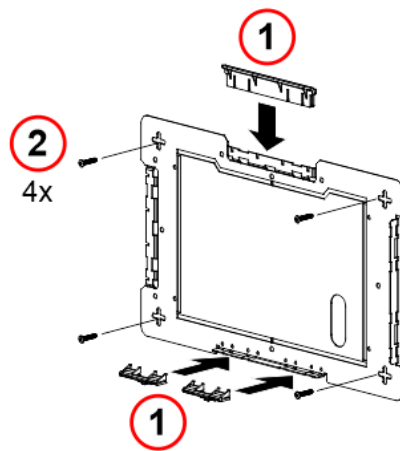


Mounting

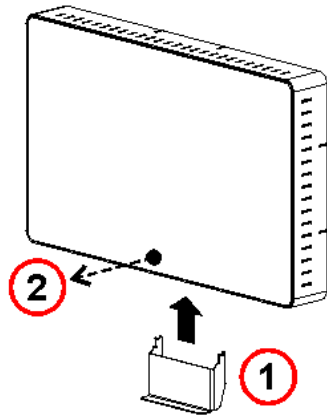
H50 version



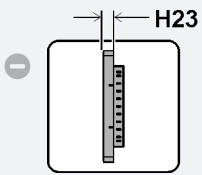
– H50 version mounting



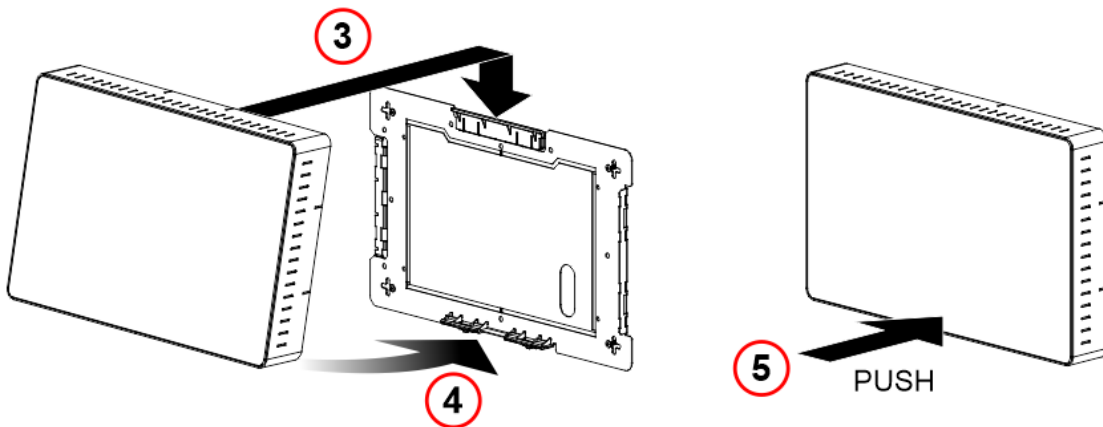
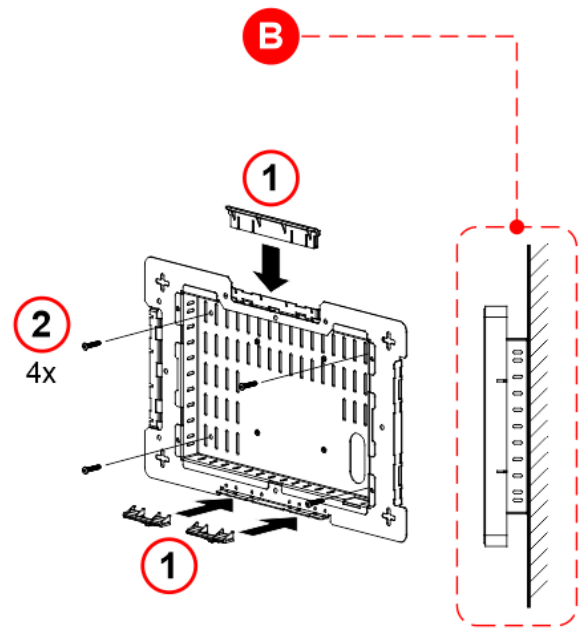
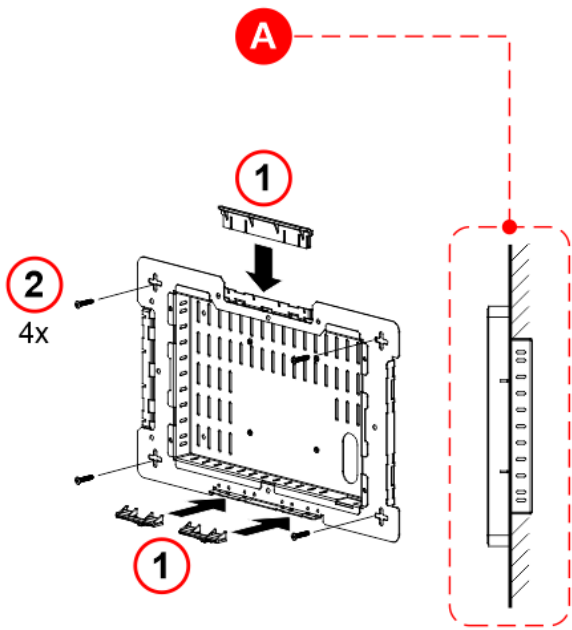
– H50 version disassembly



H23 version

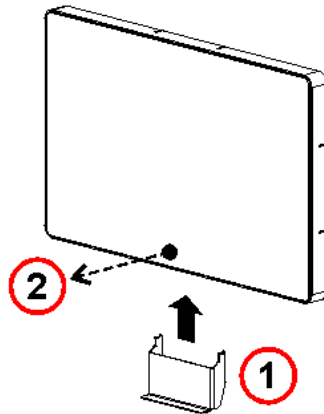


- H23 version mounting



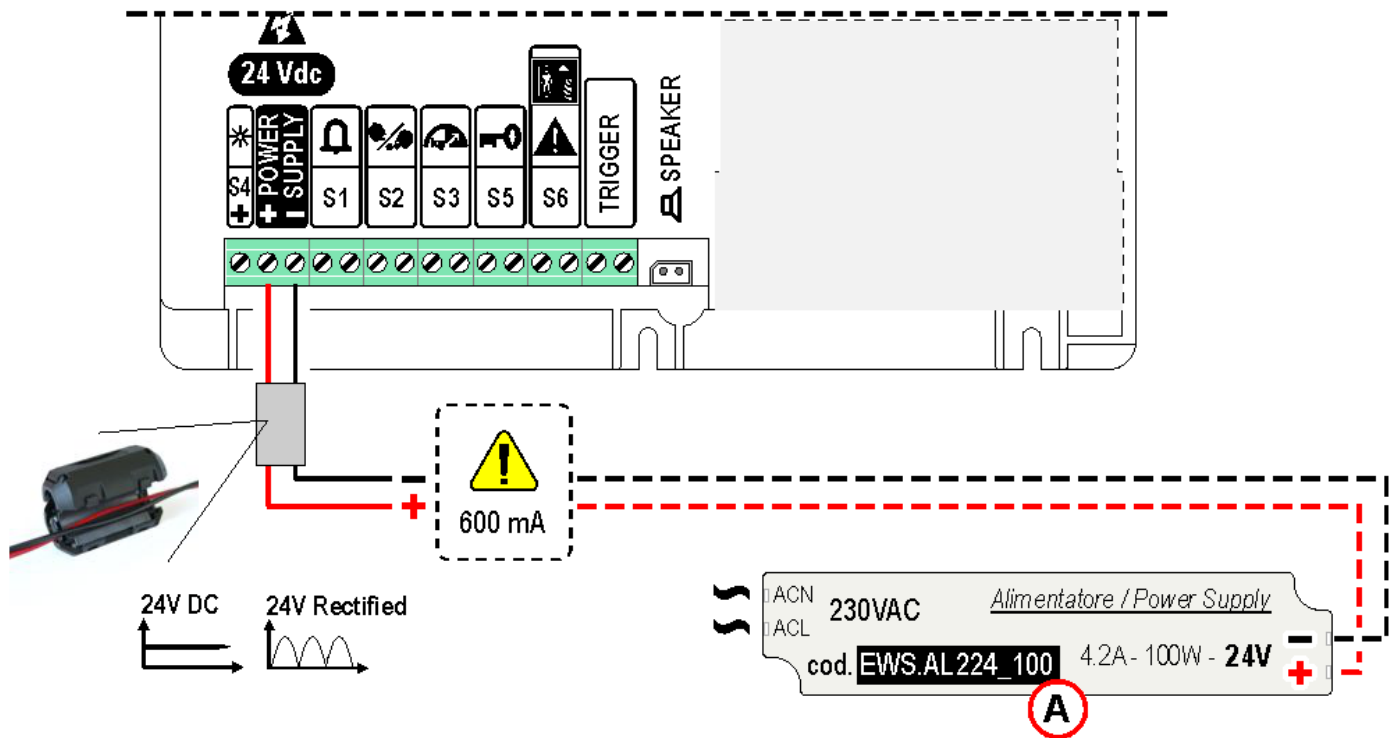
- A) – With cut-out at wall
- B) – Without cut-out at wall

– H23 version disassembly



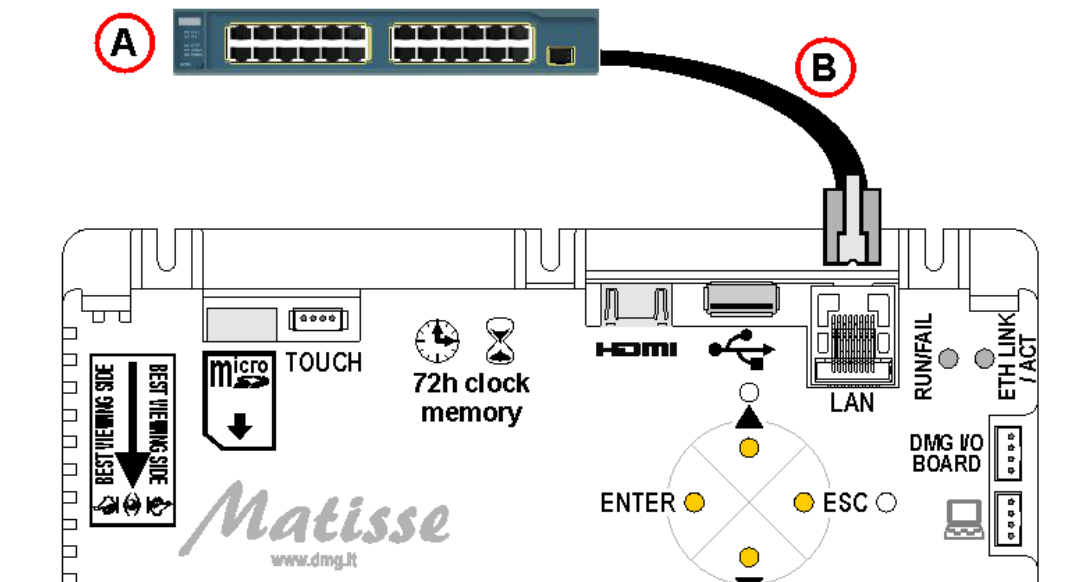
Wiring Instructions

Power Supply



A) – EWS.AL224_100 – Optional power supply (4.2A – 100W – 24V)

Network Connections



- A) – Ethernet Switch/Router, ADSL Modem, 2/3/4G Modem, Wifi Access Point, etc.
 B) – RJ45 Ethernet cable.

Pairing with MosaicONE software

i To see the procedure for pairing a Matisse / DSD device with the MOSAICONE cloud software, visit the link below
[Procedure to pairing Matisse/DSD with MOSAICONE](#)

Datasheet

Dimensions	TFT 15,6" H50 version: 401×251 mm (H 51 mm) TFT 15,6" H50 version: 401×251 mm (H 23 mm)
Visible area	343×193 mm (16:9)
Resolution	Full HD
Degree of protection	IP2X
Screen Technology	IPS
RAM	1 Gb
Mass Storage	512 Mb
Power supply (position input)	24V DC ±10%
Absorption	1000 mA
Operating temperature	0°C ÷ +50°C

