



## Matisse Touch Display

### Contents

[Safety and usage cautions](#)

[Layout](#)

[Mounting](#)

[Wiring Instructions](#)

[Matisse TOUCH 15,6" \(calls\)](#)

[Matisse TOUCH 18,5" / 21,5" \(calls\)](#)

[Pairing with MosaicONE software](#)

[Datasheet](#)



✓ Updated to EN81-28:2018 regulation.



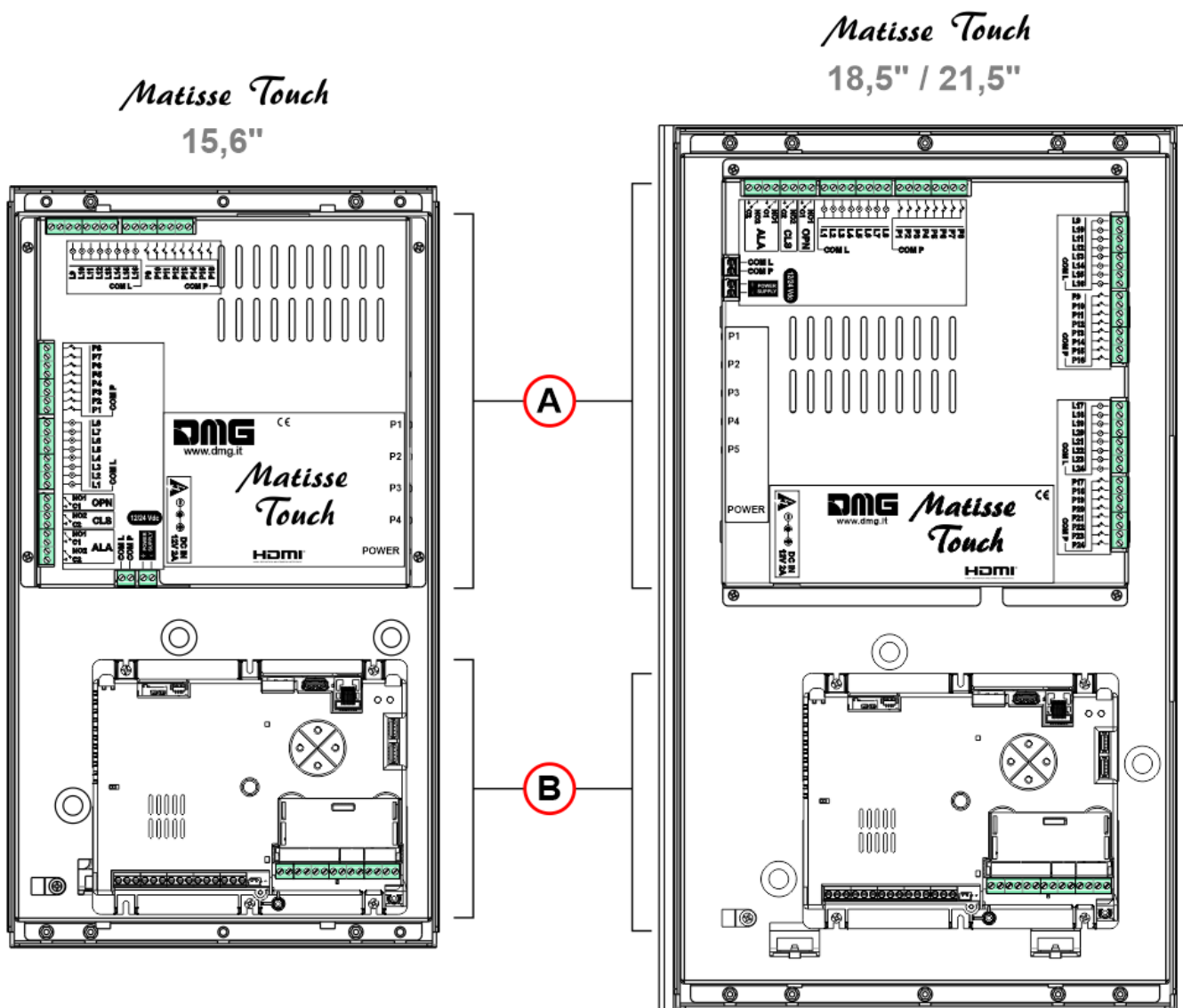
## Safety and usage cautions

Before installing our products, we recommend you to consult the section about safety and usage cautions at the link below.



- ❗ Do not touch the control panel using wet hands or other wet body parts.  
Do not install the control panel in a humid environment and/or in direct sunlight.  
Unintentional activations may happen in the following cases:
    - During the cleaning phase.
    - If the control panel is not completely dry.
- The protective film must be removed before powering the control panel.

## Layout

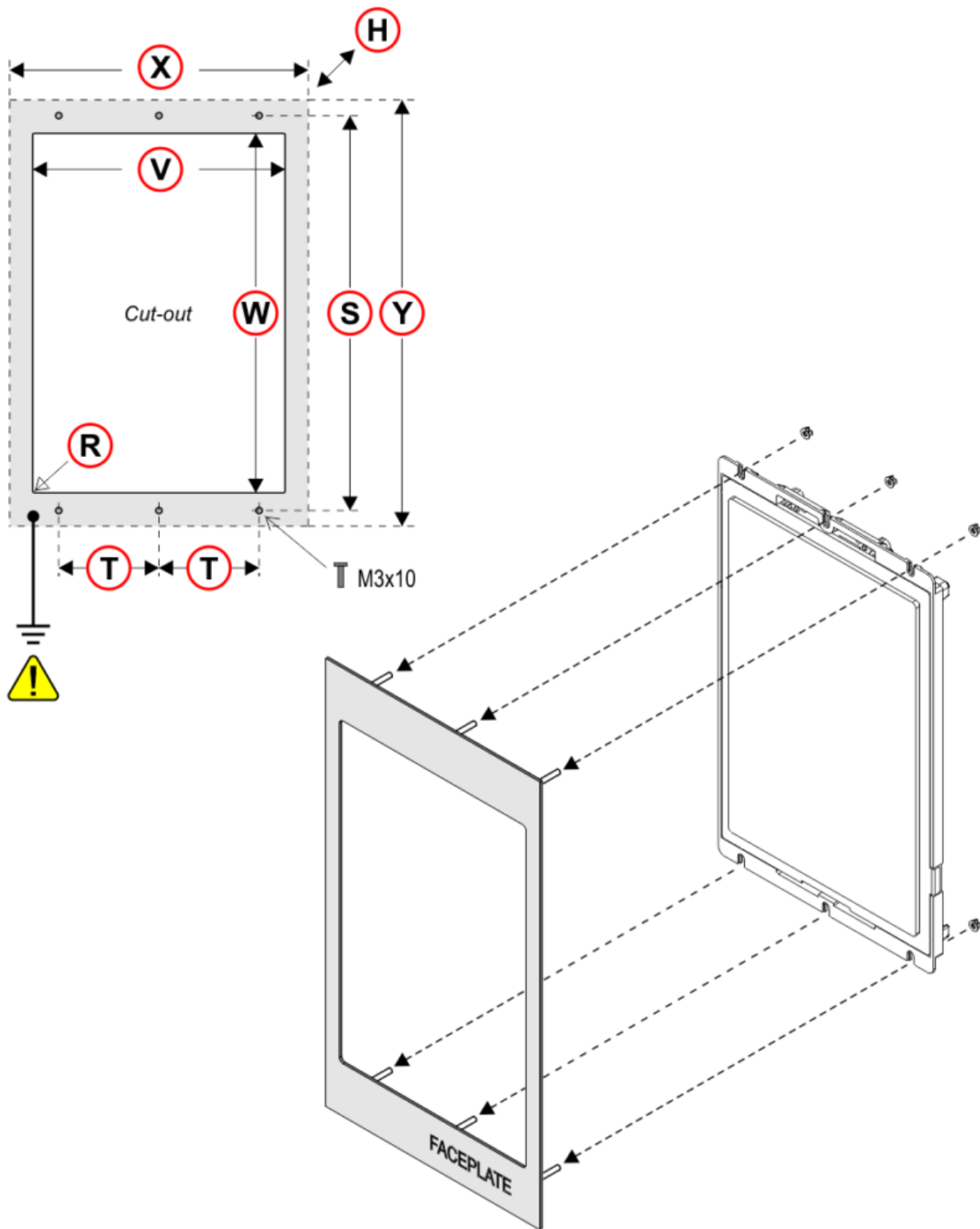


A) – Touch buttons.

B) – Matisse display. See the instructions on the relevant page.

## Mounting

With studs on 1,5/2 mm faceplate



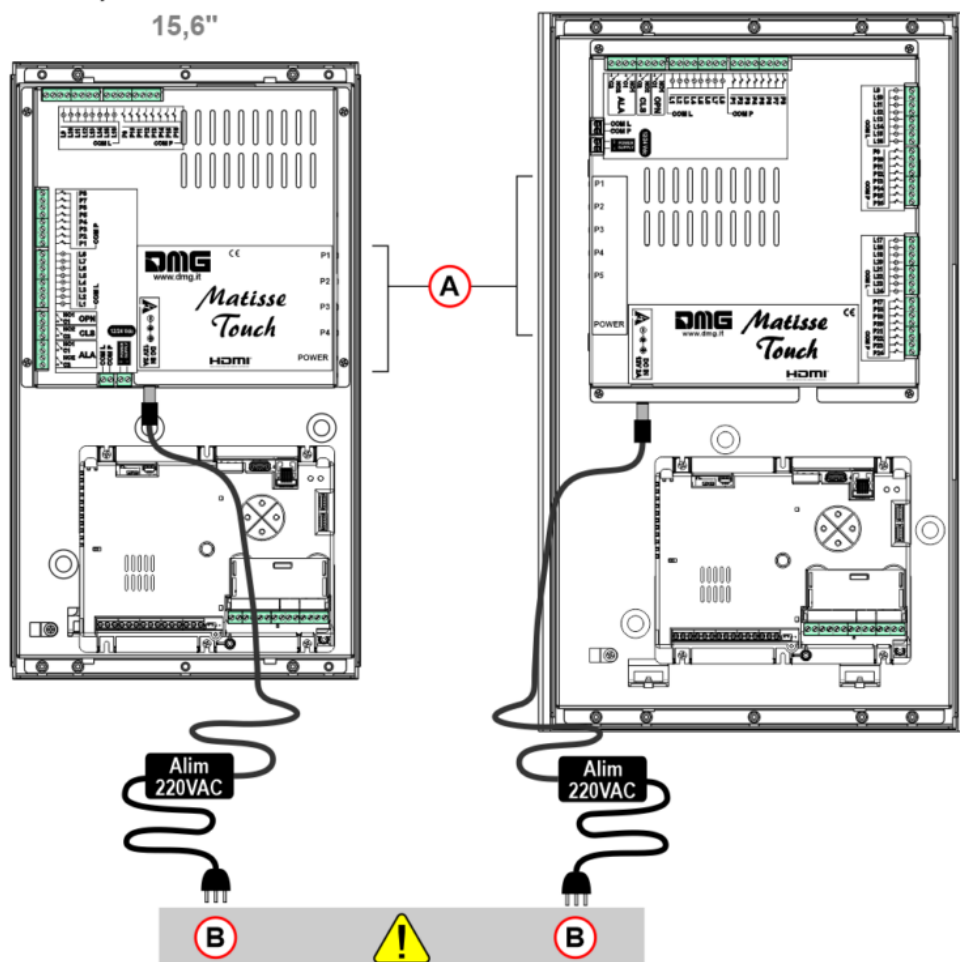
TFT	DIMENSIONS: (X x Y x H)	CUT-OUT (V x W – R)	STUDS SxT
TFT 15,6"	244 x 430,5 x 46	192.6×343,6 mm – R0,1	413×100
TFT 18,5"	284 x 497,5 x 49	229.6×408,6 mm – R0,1	480×110
TFT 21,5"	324,5 x 564,5 x 49	266.6×475,6 mm – R0,1	547×140

## Wiring Instructions

- ⓘ Make sure that the pushbutton panel has been ground connected.

*Matisse Touch*  
15,6"

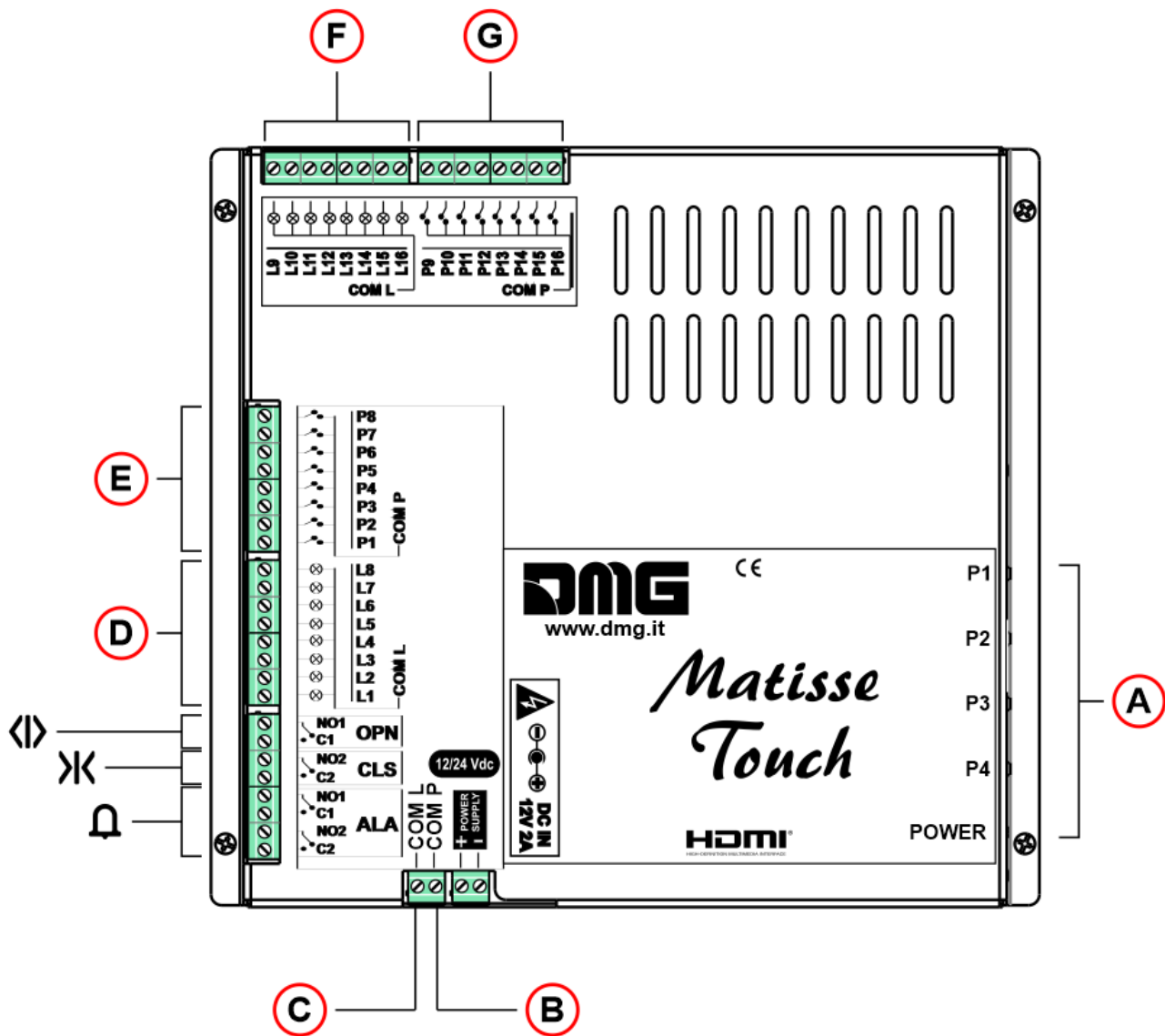
*Matisse Touch*  
18,5" / 21,5"



A) – Screen Adjustment Buttons.

B) – 220V power supply is required on the top of elevator car.

**Matisse TOUCH 15,6" (calls)**



A) – Screen Adjustment Buttons.

B) – Push-buttons (COM)

C) – Push-buttons lamp (COM)

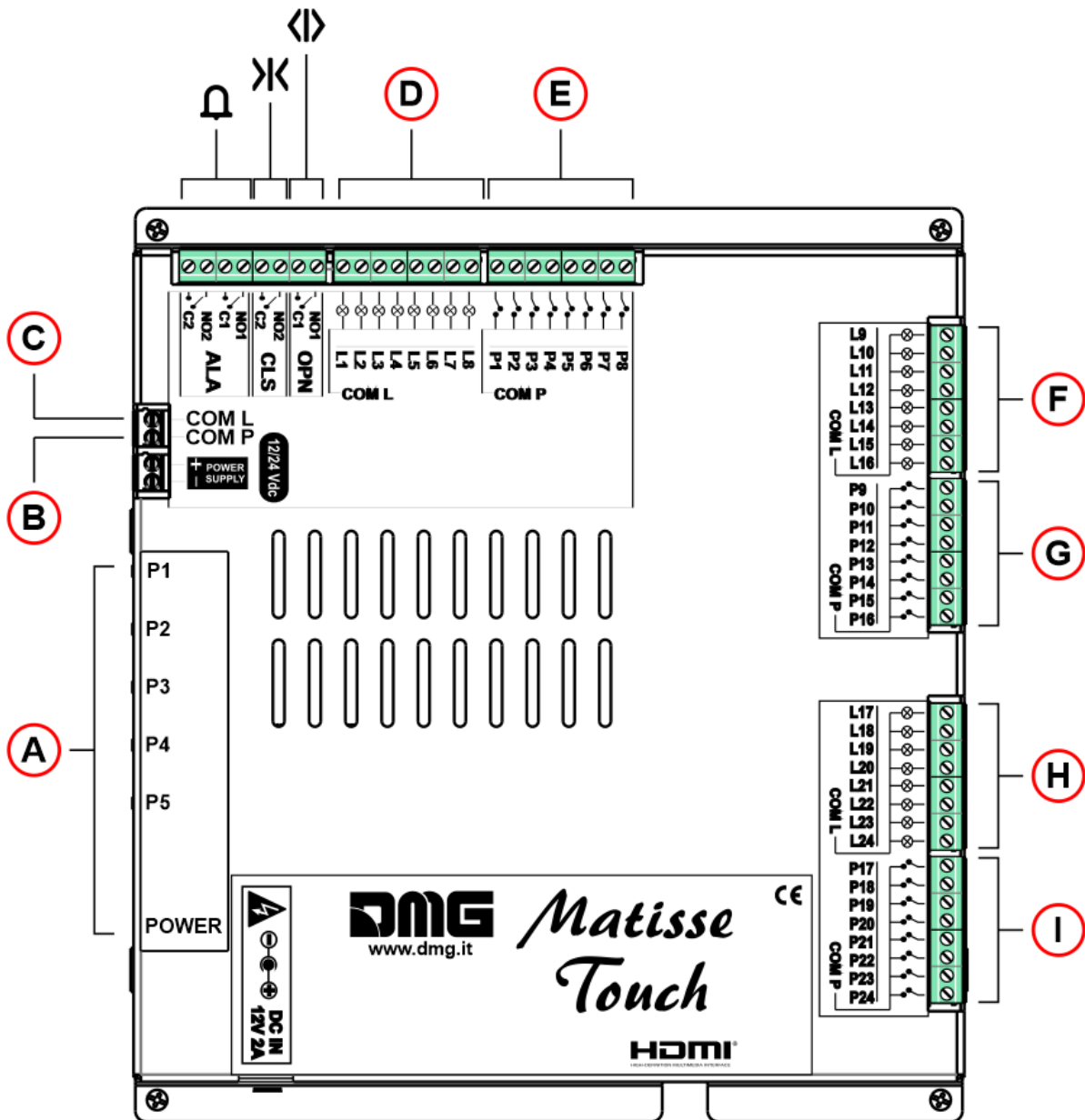
D) – Push-buttons lamp (1 – 8)

E) – Push-buttons (1 – 8)

F) – Push-buttons lamp (9 – 16)

G) – Push-buttons (9 – 16)

**Matisse TOUCH 18,5" / 21,5" (calls)**



- A) – Screen Adjustment Buttons.
- B) – Push-buttons (COM)
- C) – Push-buttons lamp (COM)
- D) – Push-buttons lamp (1 – 8)
- E) – Push-buttons (1 – 8)
- F) – Push-buttons lamp (9 – 16)
- G) – Push-buttons (9 – 16)
- H) – Push-buttons lamp (17 – 24)
- I) – Push-buttons (17 – 24)

## Pairing with MosaicONE software

**i** To see the procedure for pairing a Matisse / DSD device with the MOSAICONE cloud software, visit the link below  
[Procedure to pairing Matisse/DSD with MOSAICONE](#)

## Datasheet

<b>Dimensions</b>	TFT 15,6" : 244×430,5 mm (H 46 mm) TFT 18,5" : 284×497,5 mm (H 49 mm) TFT 21,5" : 324,5×564,5 mm (H 49 mm)
<b>Screen</b>	TFT 15,6" : 193,6×334,2 / 1920×1080 pixel / 65.000 colors TFT 18,5" : 230×409 / 1920×1080 pixel / 65.000 colors TFT 21,5" : 268,1×476,6 / 1920×1080 pixel / 65.000 colors
<b>Power supply (position input)</b>	12V DC ±10%
<b>Absorption</b>	<i>TFT 15,6" : 1000 mA</i> <i>TFT 18,5" : 1200 mA</i> <i>TFT 21,5" : 1500 mA</i>
<b>Operating temperature</b>	0°C ÷ +50°C (15,6" / 21,5") -20°C ÷ +70°C (18,5")

Updated on 20 Maggio 2021