



Mirò – Programmable TFT digital nameplate

Contents

[Safety and usage cautions](#)

[Layout & Dimensions](#)

[Wiring Instructions](#)

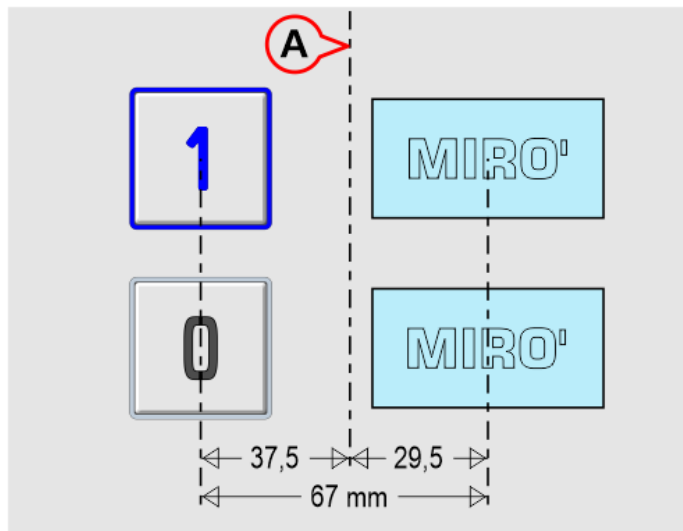


Safety and usage cautions

Before installing our products, we recommend you to consult the section about safety and usage cautions at the link below

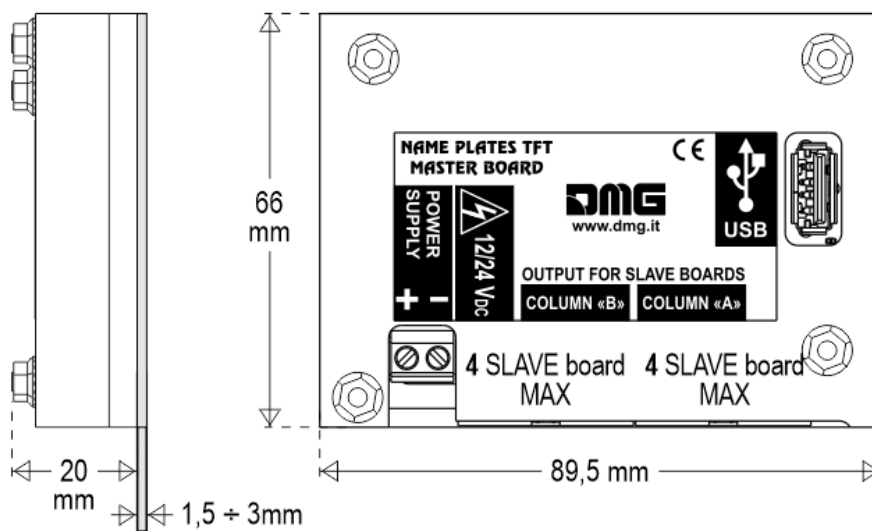


Layout & Dimensions



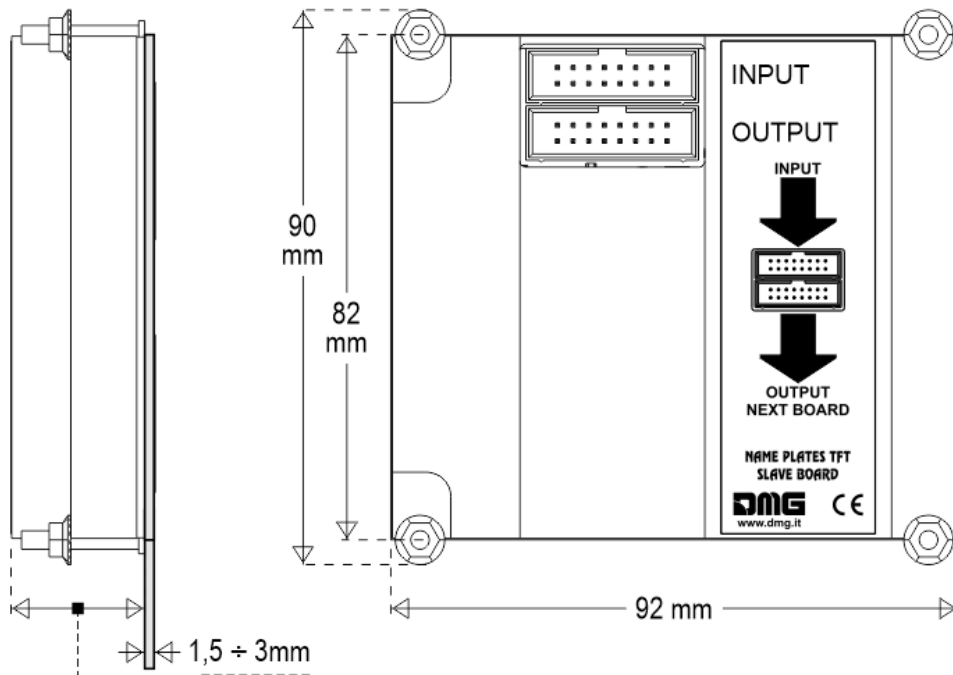
A) – Central axis of the pushbutton panel

– MASTER board –



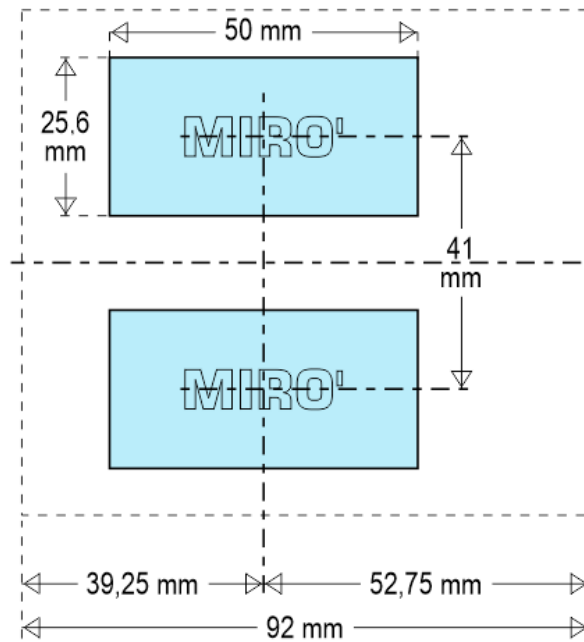
BACK view

– SLAVE board –



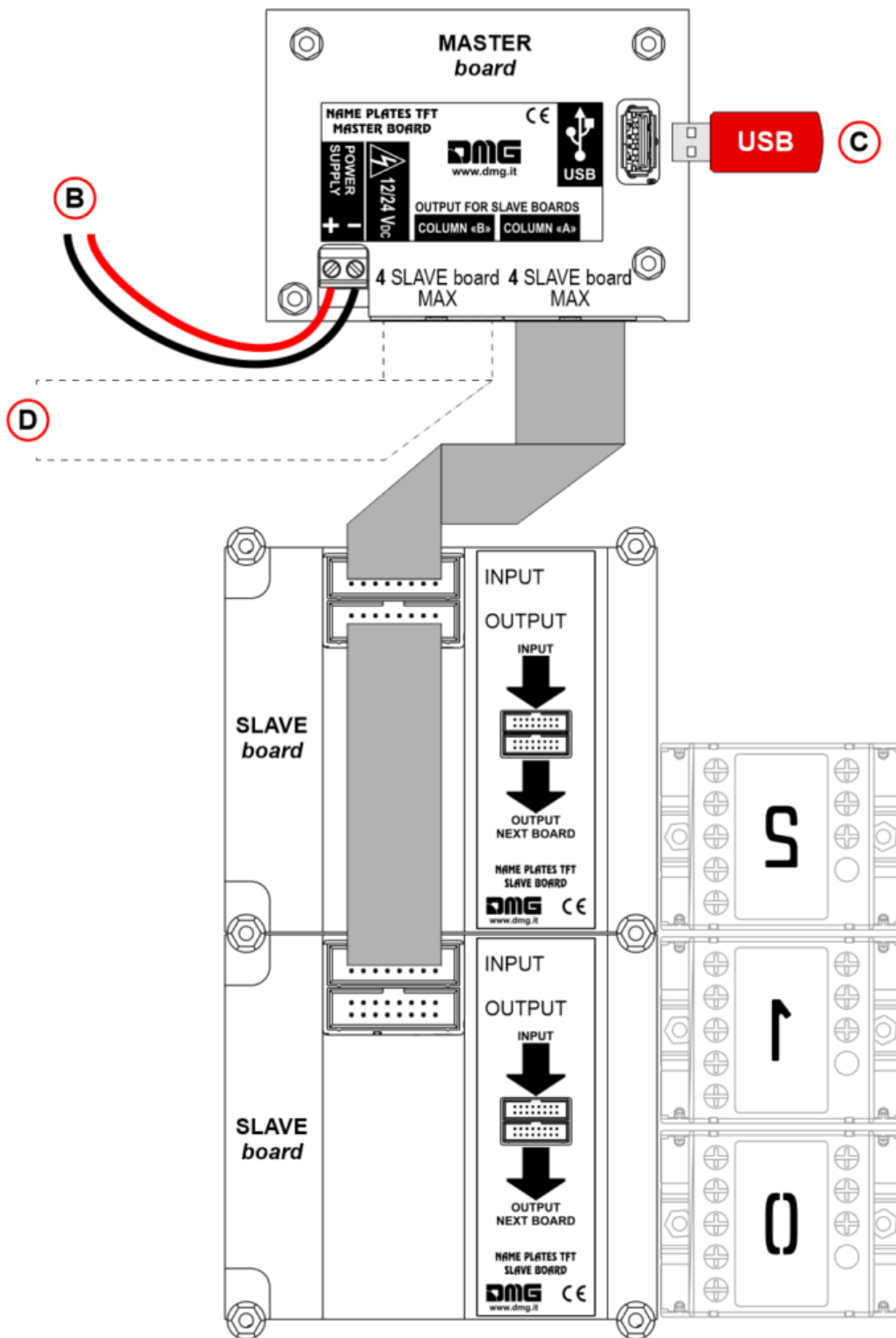
BACK view

22 mm	1,5 mm
23 mm	2 mm
22 mm	3 mm



FRONT view

Wiring Instructions

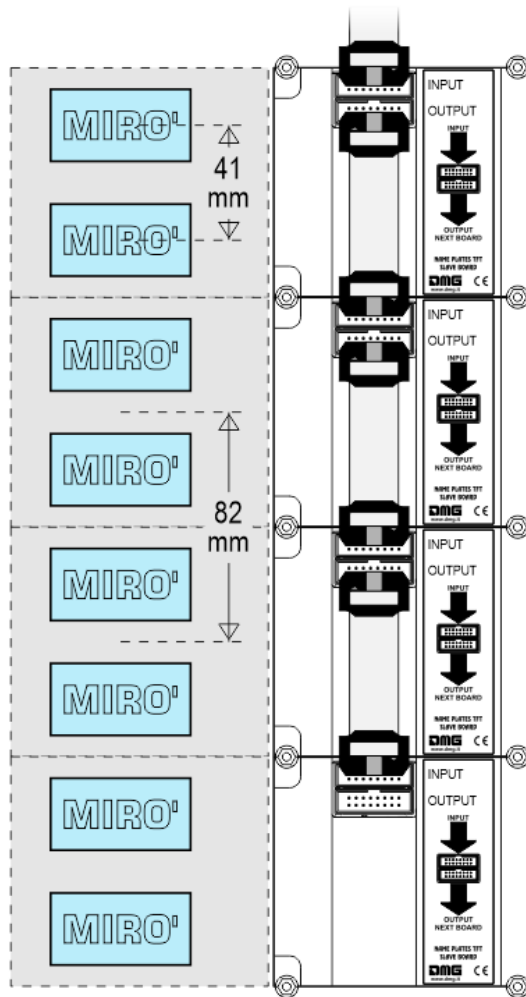


B) – 12/24V dc Power Supply.

C) – Programming via USB key and PC software “Mosaic”.

D) – Second additional row of nameplates.

Up to 8 MIRO’ nameplate per row can be connected (4 SLAVE boards).



Updated on 20 Maggio 2021