



## Silverlight

### Contents

[Safety and usage cautions](#)

[Mounting](#)

- [CAR \(short button panel\)](#) -

- [CAR \(column\)](#) -

- [FLOOR](#) -



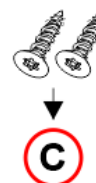
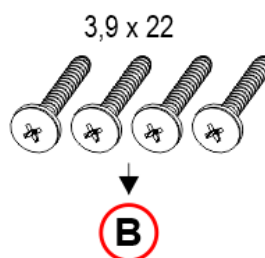
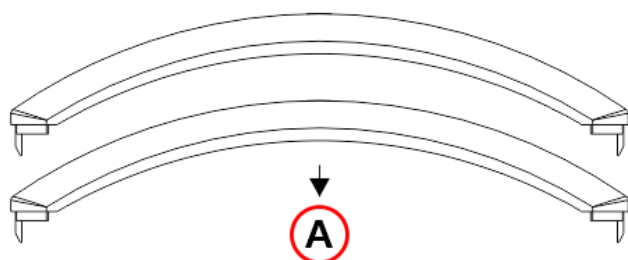
## Safety and usage cautions

Before installing our products, we recommend you to consult the section about safety and usage cautions at the link below.

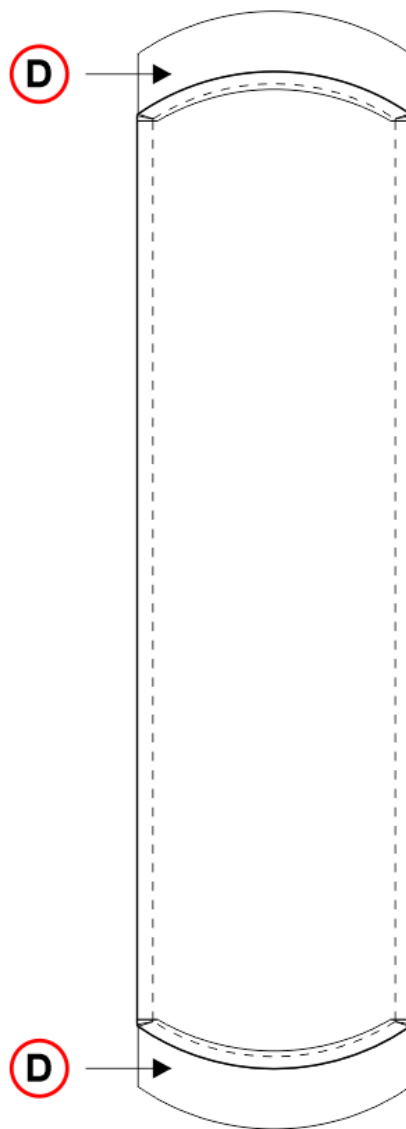
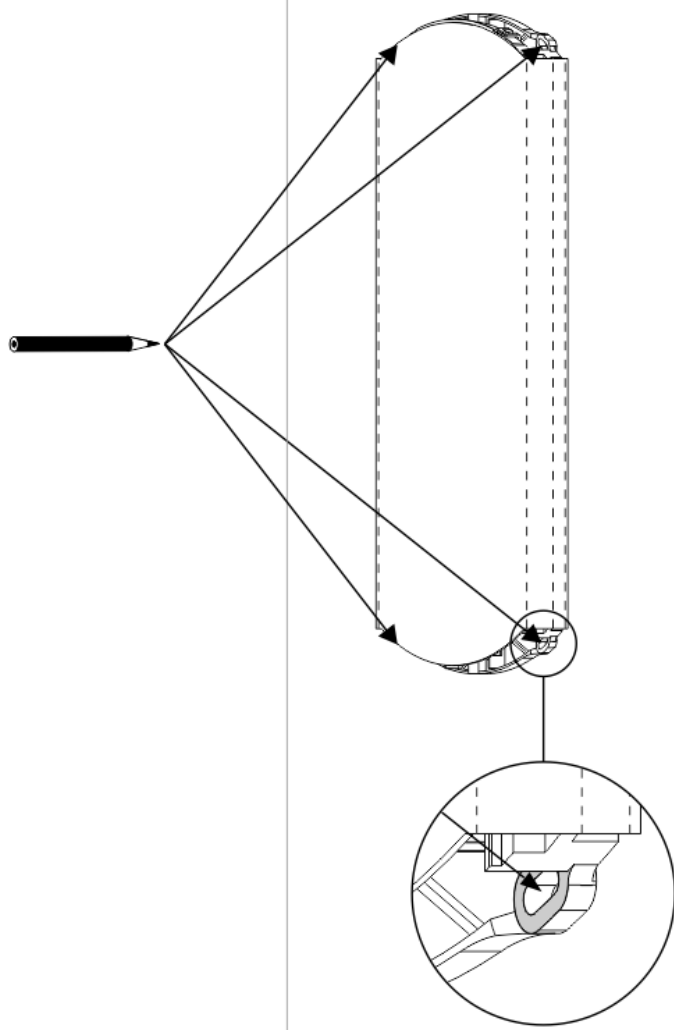


## Mounting

- CAR (short button panel) -

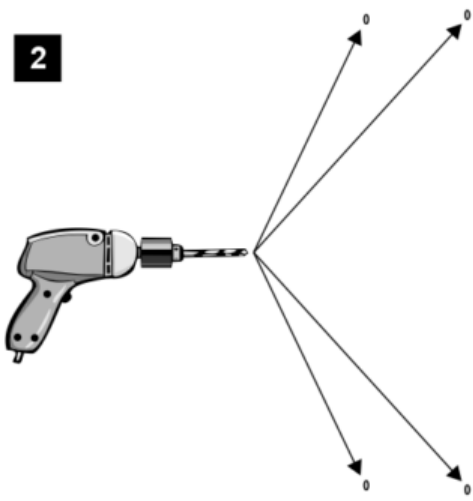


1



D) – Free zone for end caps fixing.

2



**E**

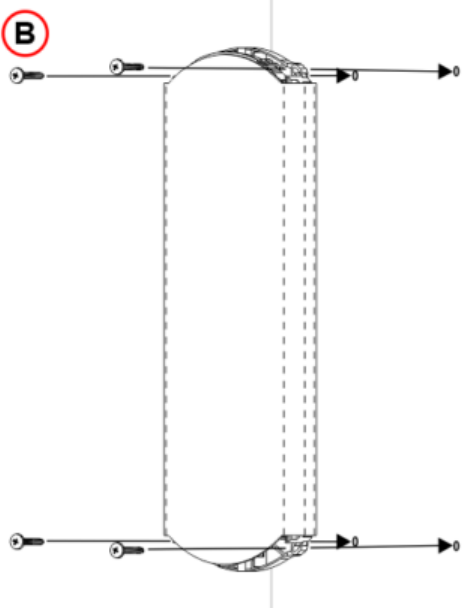
<i>h</i>	<i>d</i>
0,5 + 0,9 mm	2,95 mm
0,9 + 1,2 mm	3,10 mm
1,2 + 1,5 mm	3,25 mm
1,5 + 1,9 mm	3,50 mm
1,9 + 2,7 mm	3,60 mm

Car wall

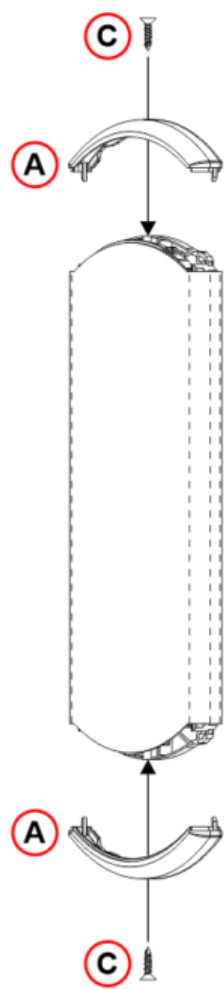
*h*

*d*

3

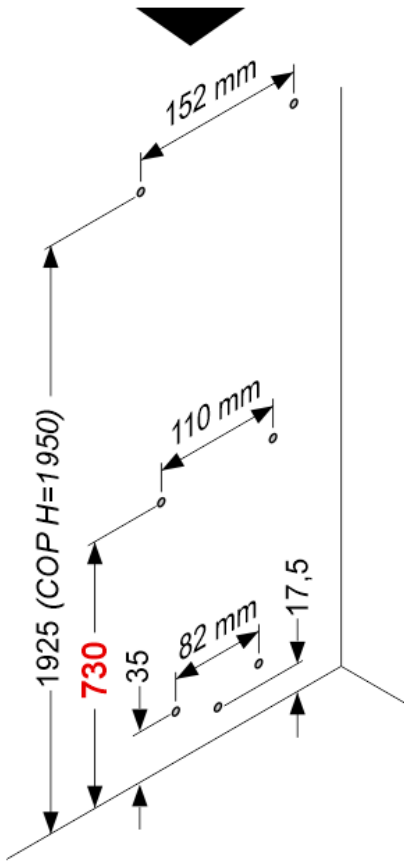
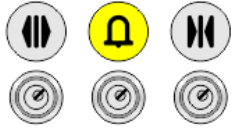
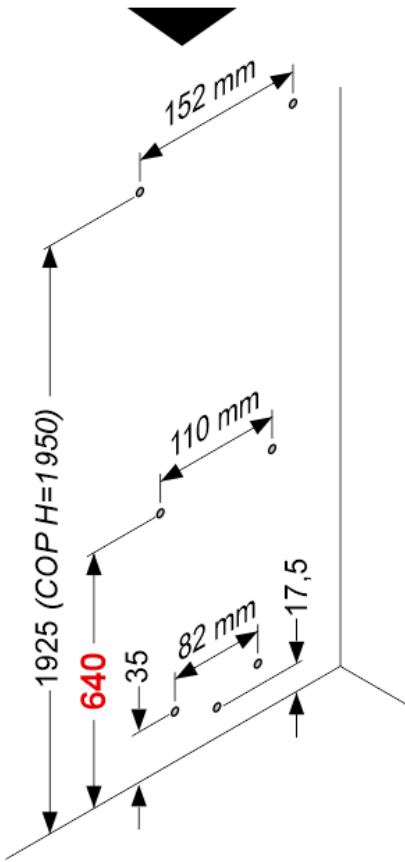
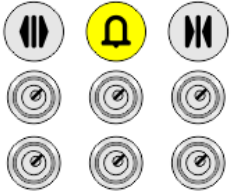
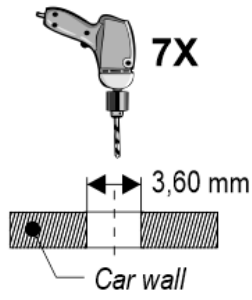


4

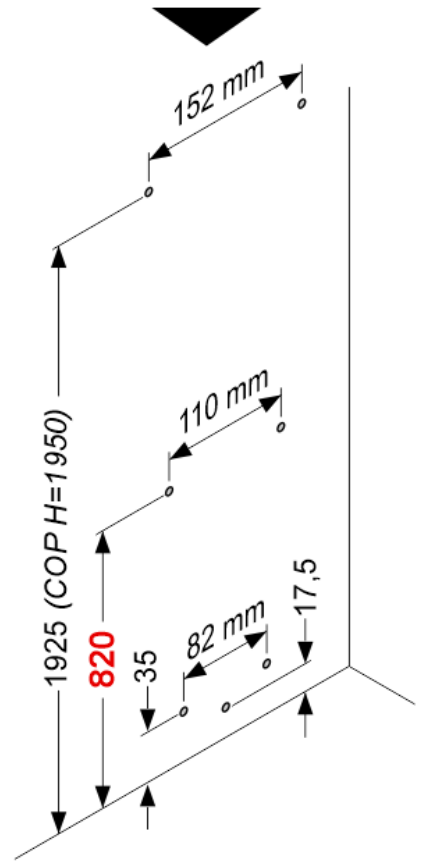


E) – Table of reference holes.

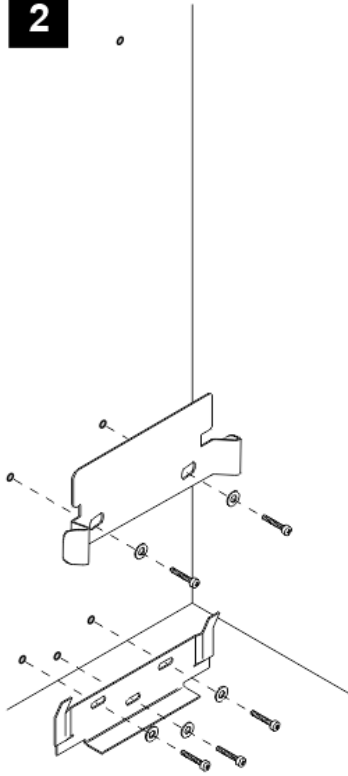
1



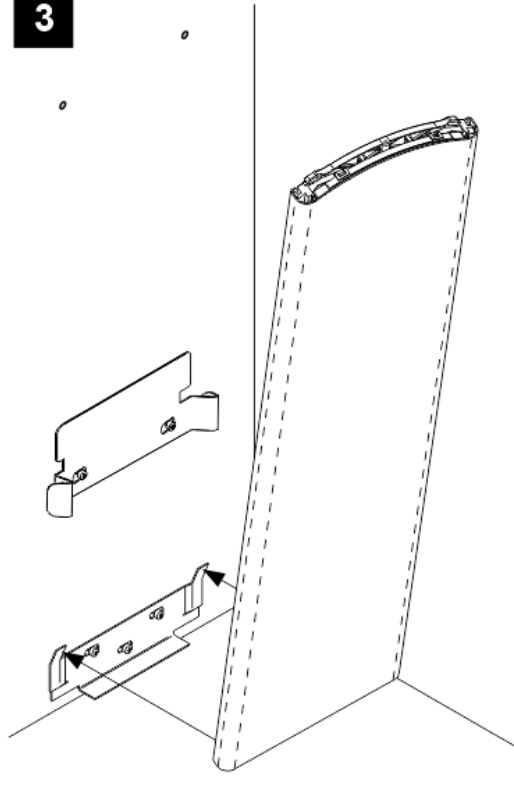
NO KEYS



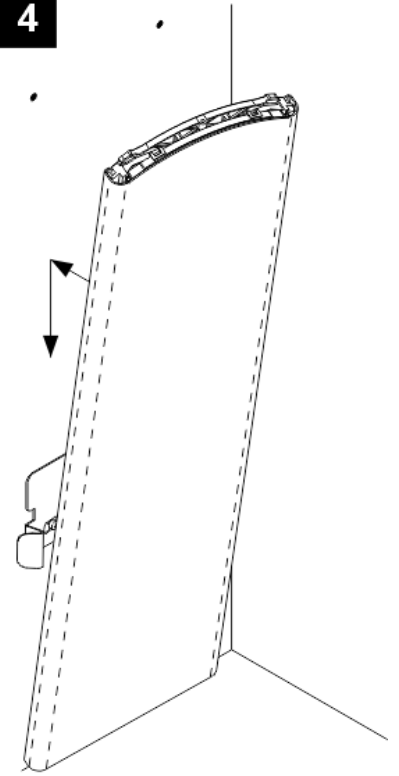
**2**



**3**

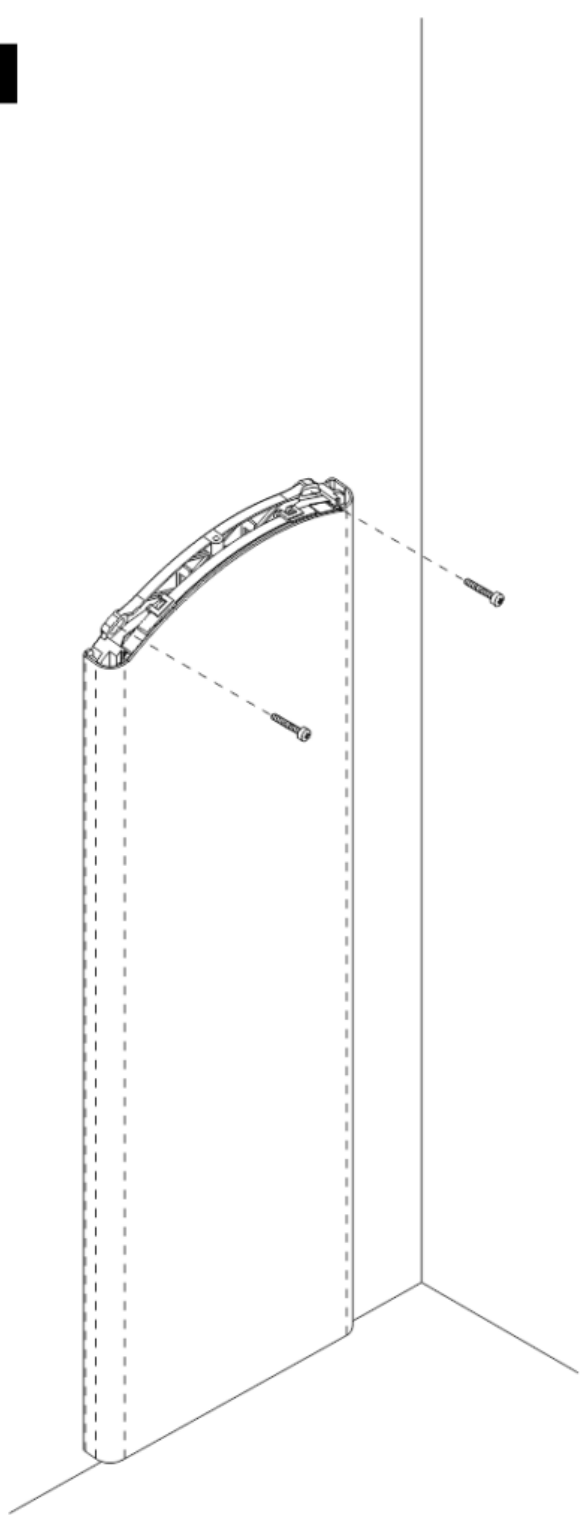


**4**

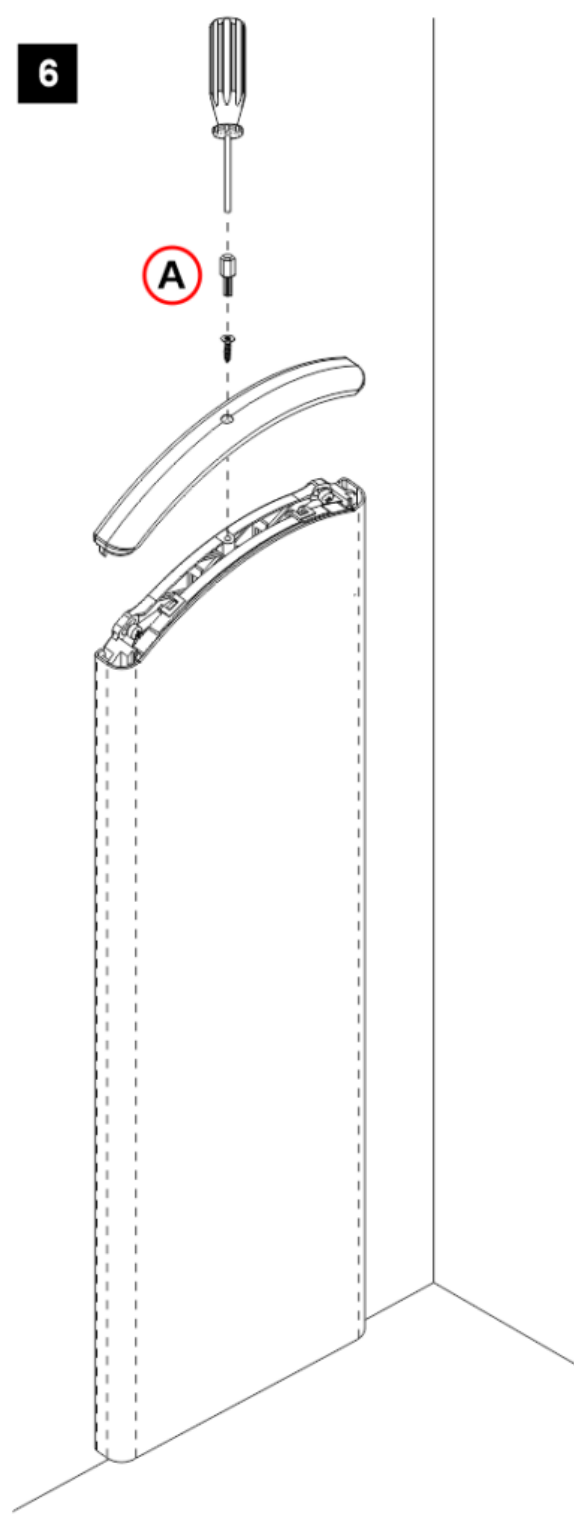


[4] – Fix the plate to the wall, as seen in the picture. Verify that there are 2 mm of free air from the floor. Try to move the plate to verify that is properly anchored.

5

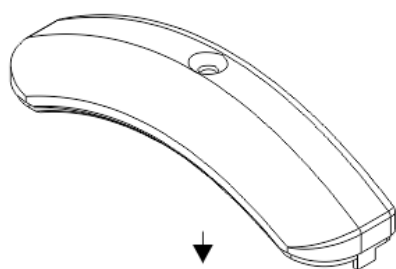


6

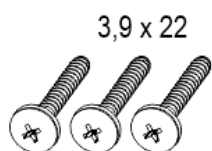


A) – TORX fixing tool

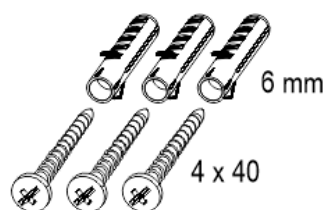
– FLOOR –



A



B



C



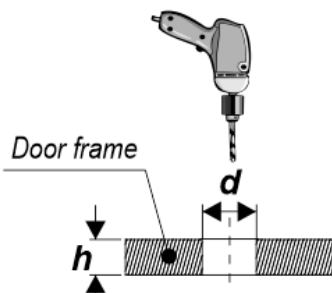
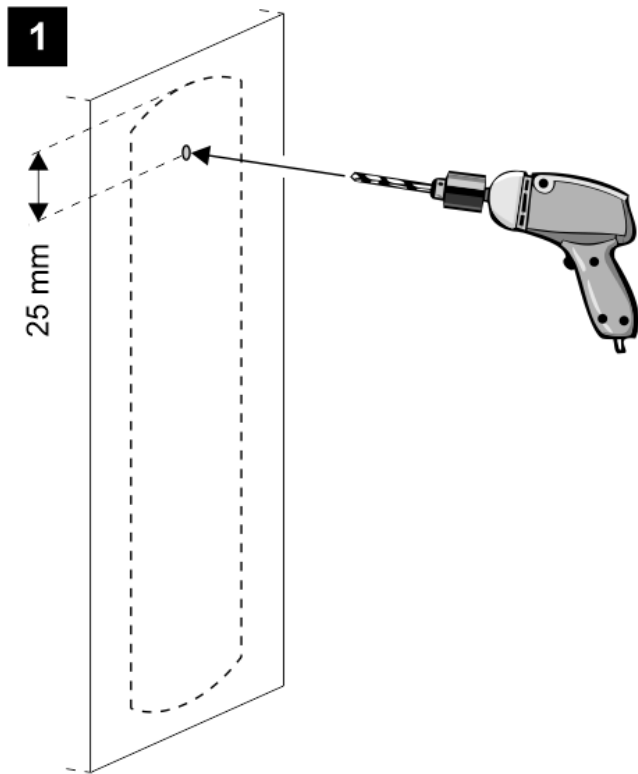
D



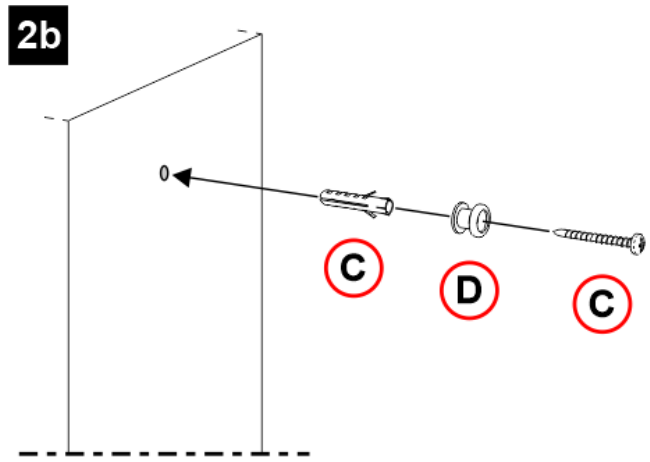
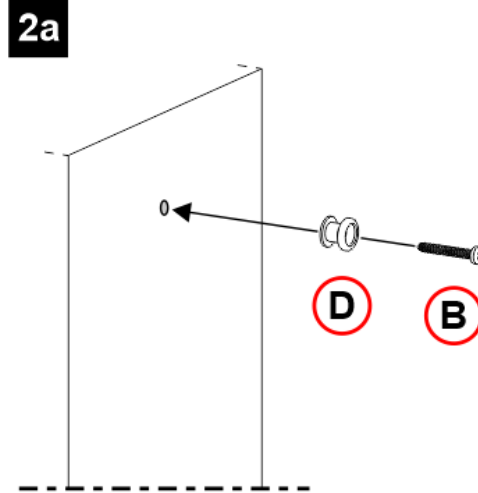
E

B) – For door frame fixing.

C) – For wall fixing.



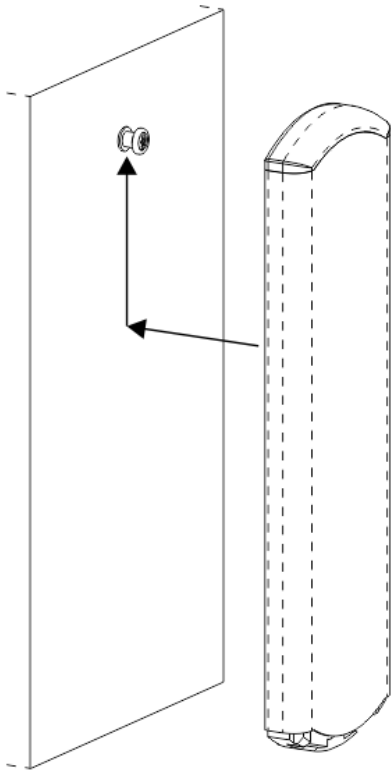
<i>h</i>	<i>d</i>
0,5 ÷ 0,9 mm	2,95 mm
0,9 ÷ 1,2 mm	3,10 mm
1,2 ÷ 1,5 mm	3,25 mm
1,5 ÷ 1,9 mm	3,50 mm
1,9 ÷ 2,7 mm	3,60 mm



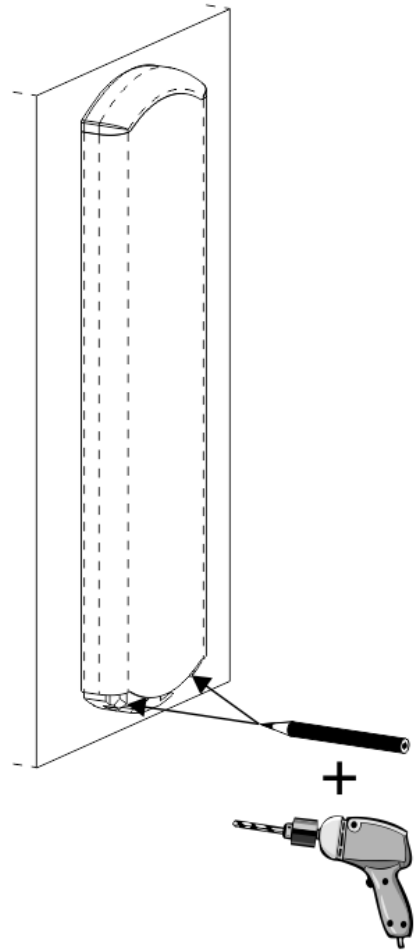
[2a] – For door frame fixing.

[2b] – For wall fixing.

3

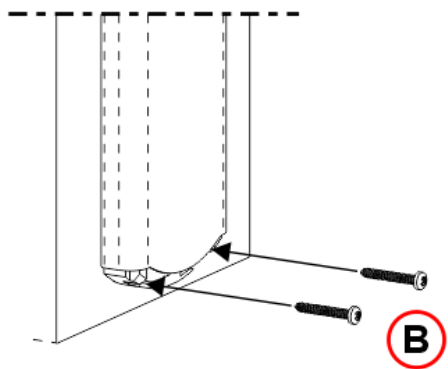


4

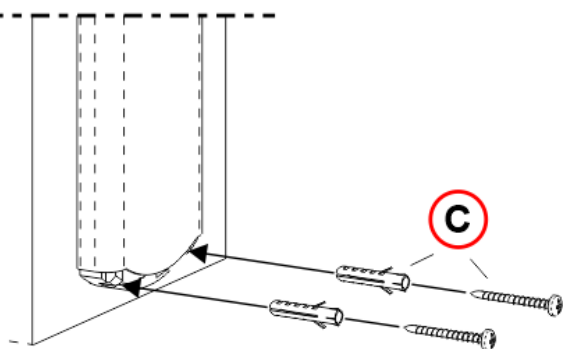




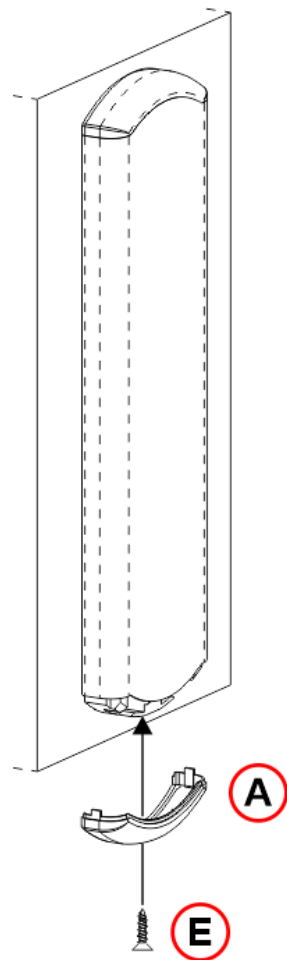
**5a**



**5b**



**6**



[5a] – For door frame fixing.

[5b] – For wall fixing.

Updated on 18 Febbraio 2021