



Venus

Contents

[Safety and usage cautions](#)

[Mounting](#)

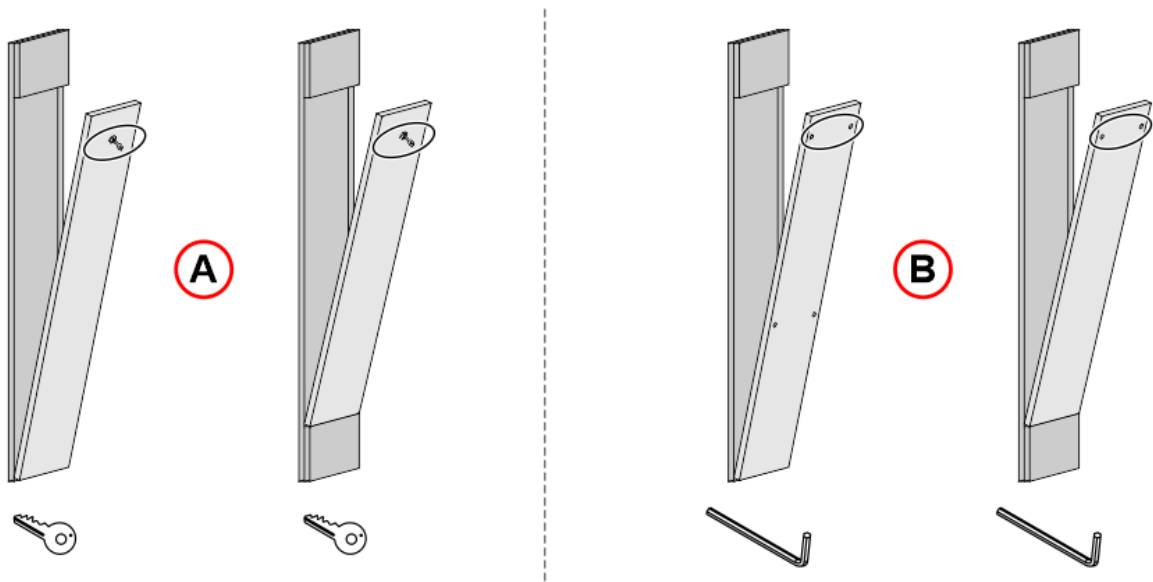


Safety and usage cautions

Before installing our products, we recommend you to consult the section about safety and usage cautions at the link below

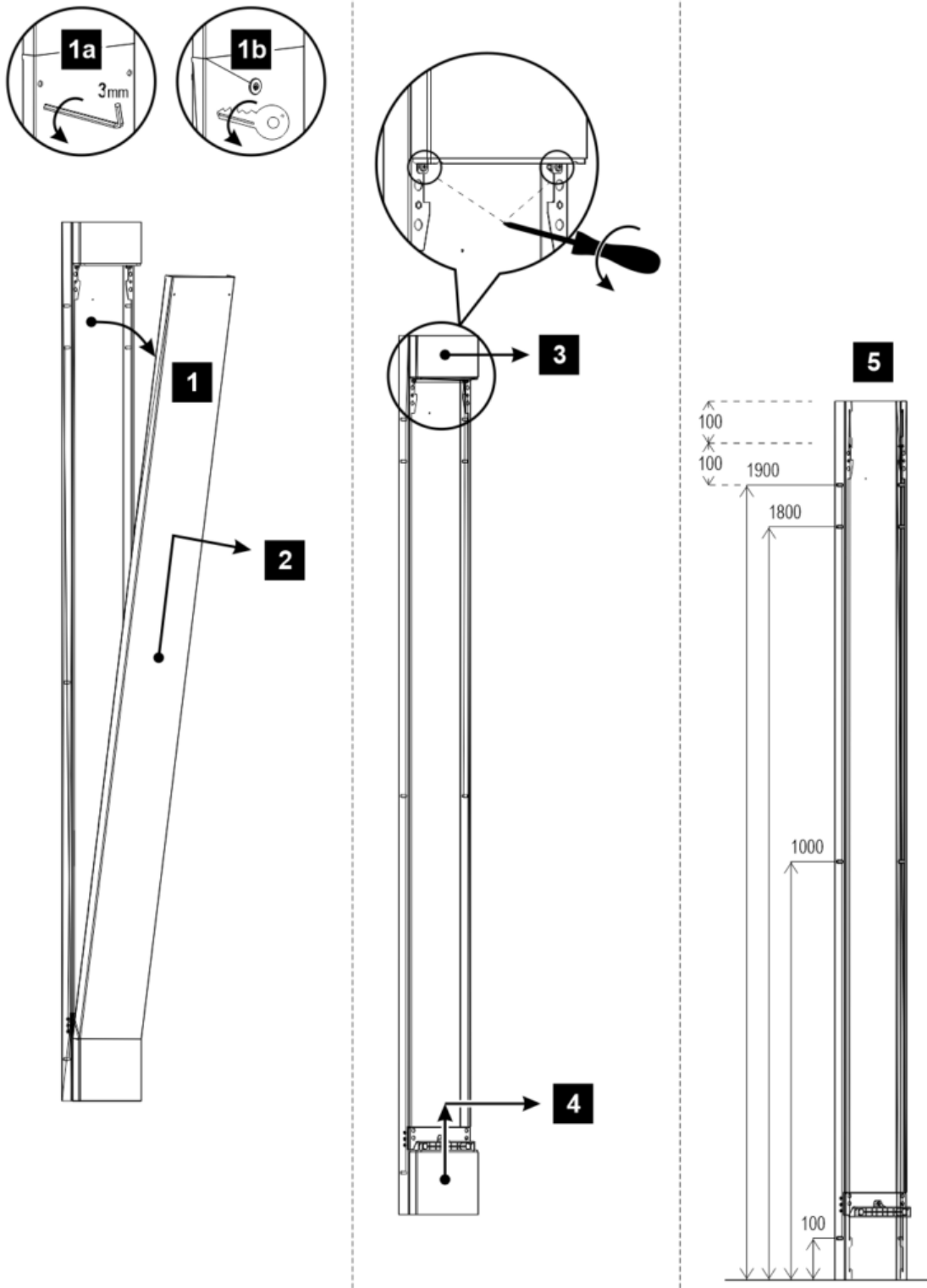


Mounting



A) – Open/Close version (2 or 3 elements) – Key locked

B) – Open/Close version (2 or 3 elements) – Hidden lock

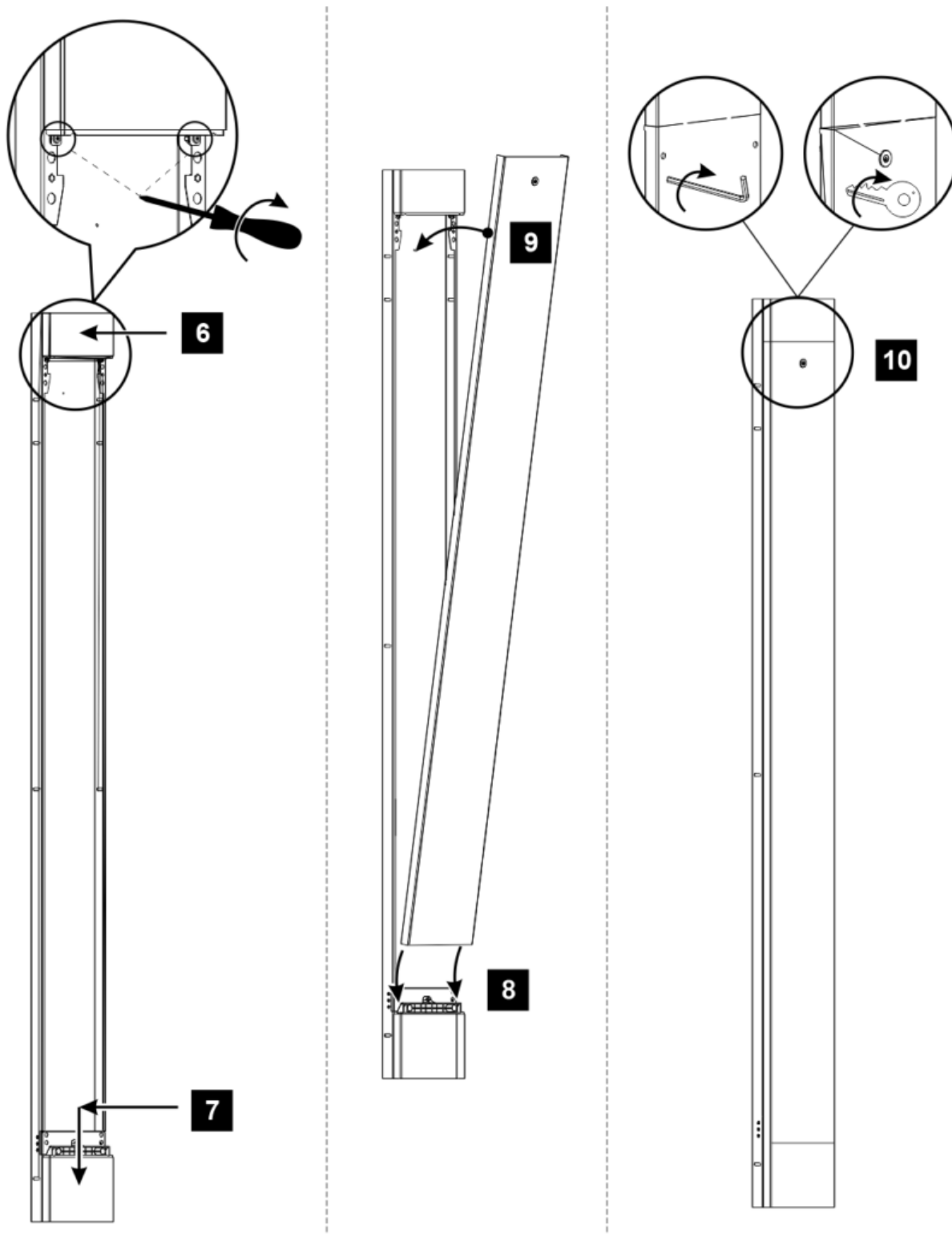


[1] – Open

[2/3] – Remove

[4] – Remove (Only the version with 3 elements)

[5] – Fix the box to the wall



[6/7] – Reassemble

[8/9/10] – Close

Updated on 22 Marzo 2021