



## Telemaco modem 4G

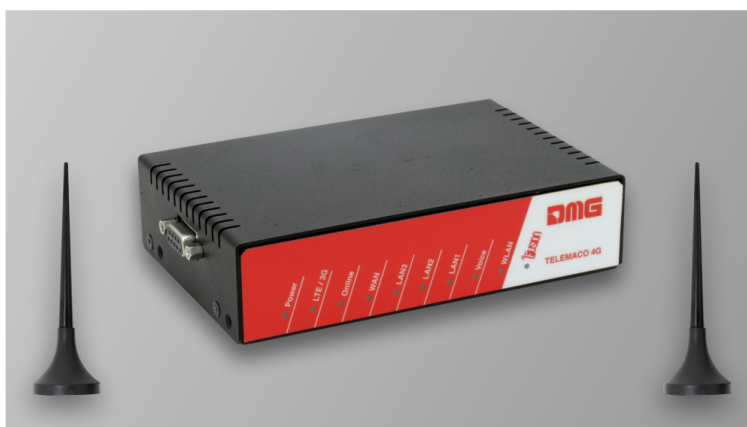
### Contents

[Safety and usage cautions](#)

[Installation](#)

[Datasheet](#)

[Download](#)



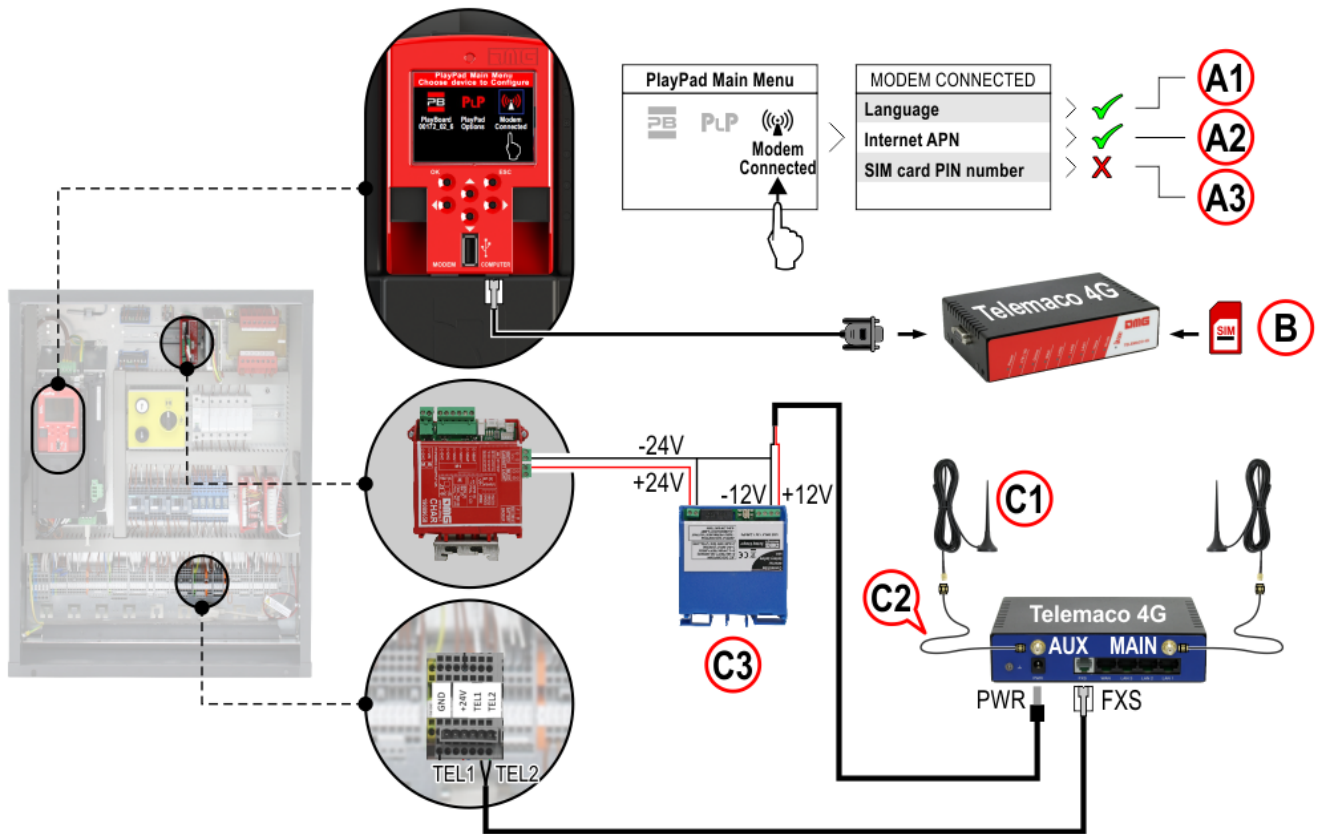
## Safety and usage cautions

Before installing our products, we recommend you to consult the section about safety and usage cautions at the link below



## Installation

⊖ Used with the controller Pitagora 4.0



A1) – Language used for sending communications.

A2) – APN Server address (Access Point Network). This parameter is specific from your mobile operator.

A3) – It must not be entered; the request for the PIN code of the SIM card must be deactivated in advance using another device.

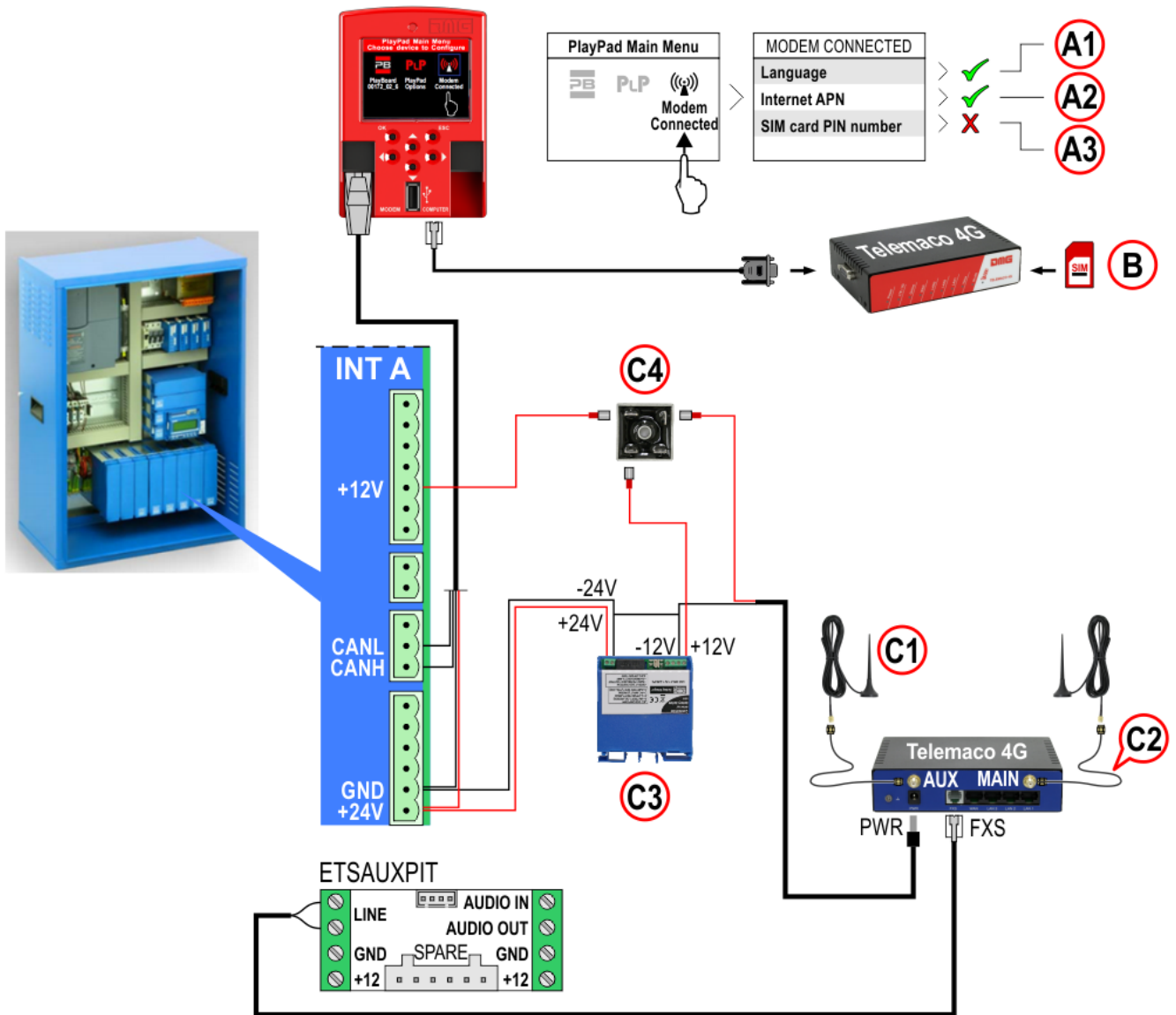
B) – SIM card – 10 Gb / month min. (not supplied by DMG).

C1) – Antenna with 3m cable. Place the two antennas outside the cabinet in a favorable position for greater signal reception.

C2) – Optional extension cable (5 m).

C3) – Transformer 24V > 12V

– Used with the controller Playboard V3



A1) – Language used for sending communications.

A2) – APN Server address (Access Point Network). This parameter is specific from your mobile operator.

A3) – It must not be entered; the request for the PIN code of the SIM card must be deactivated in advance using another device.

B) – SIM card – 10 Gb / month min. (not supplied by DMG).

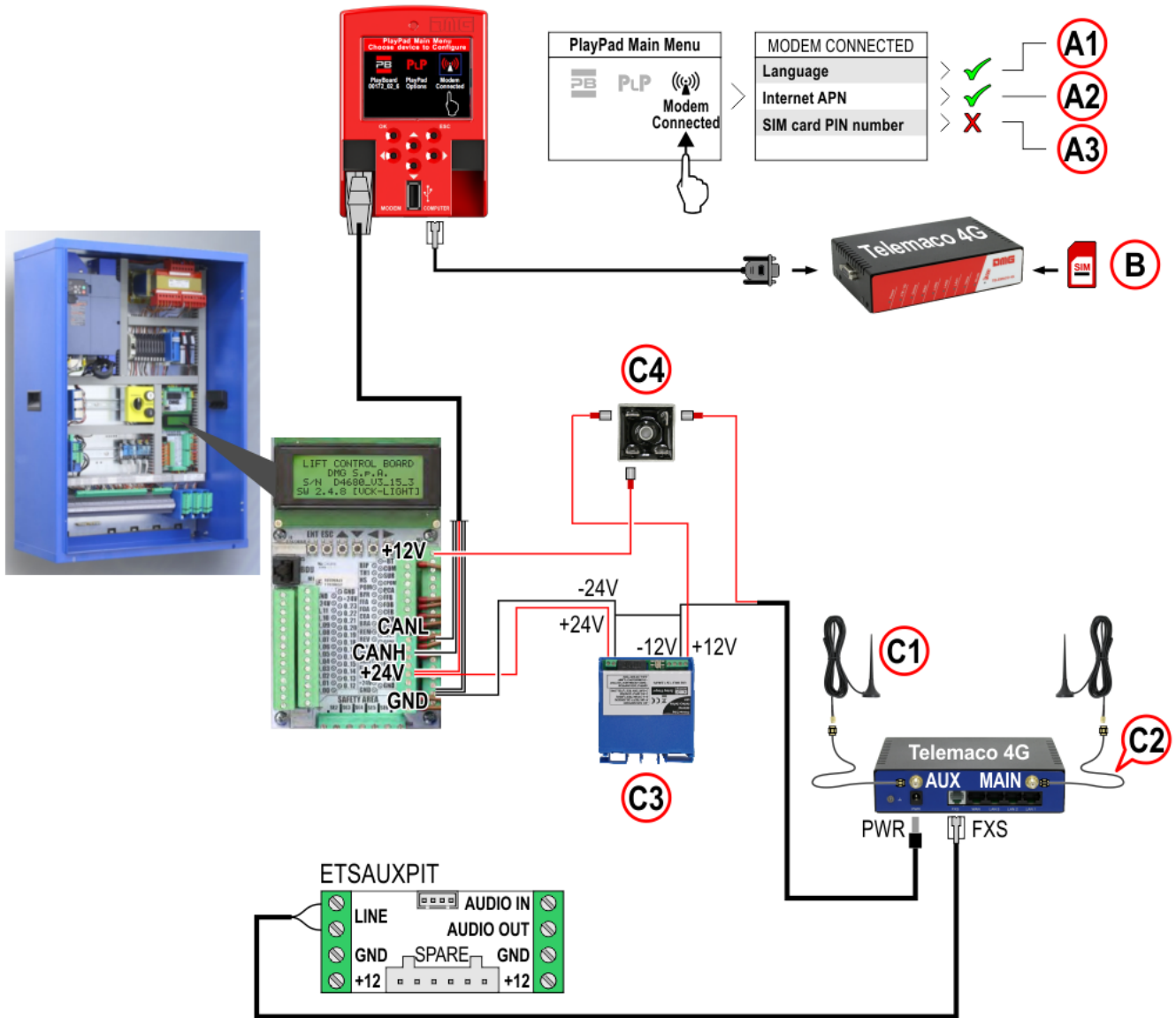
C1) – Antenna with 3m cable. Place the two antennas outside the cabinet in a favorable position for greater signal reception.

C2) – Optional extension cable (5 m).

C3) – Transformer 24V > 12V

C4) – Rectifier bridge

– Used with the controller CRONOS



A1) – Language used for sending communications.

A2) – APN Server address (Access Point Network). This parameter is specific from your mobile operator.

A3) – It must not be entered; the request for the PIN code of the SIM card must be deactivated in advance using another device.

B) – SIM card – 10 Gb / month min. (not supplied by DMG).

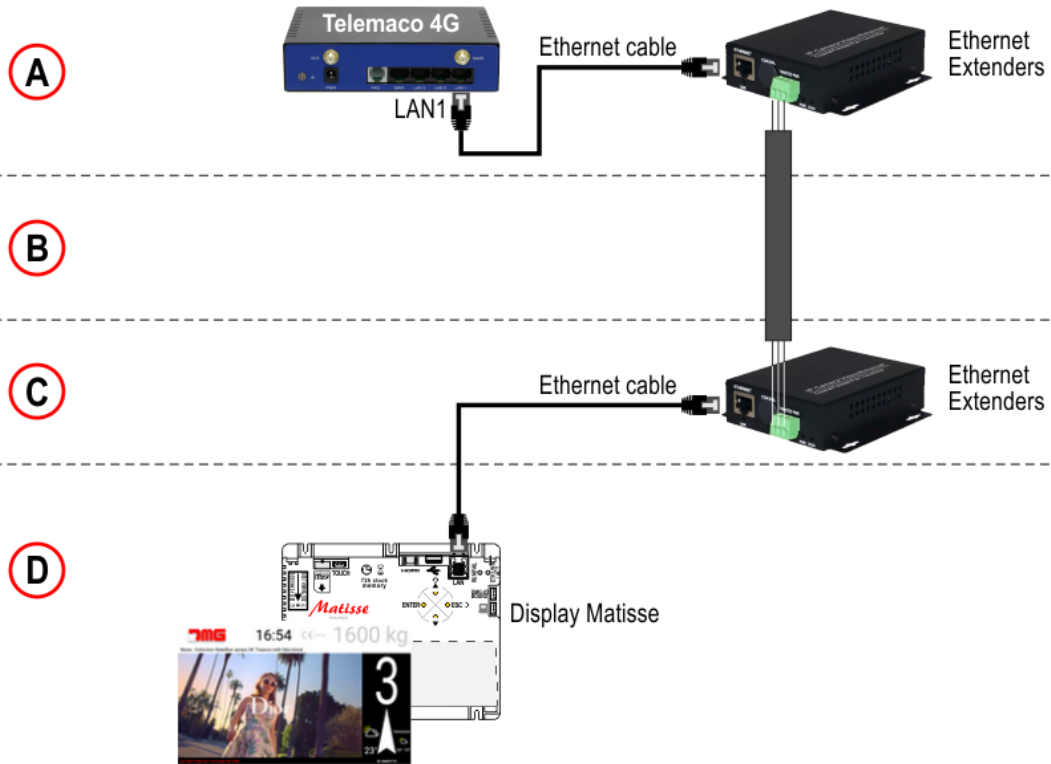
C1) – Antenna with 3m cable. Place the two antennas outside the cabinet in a favorable position for greater signal reception.

C2) – Optional extension cable (5 m).

C3) – Transformer 24V > 12V

C4) – Rectifier bridge

## ➤ How to connect a Matisse display



- A) – Machine Room
- B) – Shaft
- C) – Top of cabin
- D) – Matisse position indicator in the elevator car

## Datasheet

Operating power	12V DC (1A max)
Mobile network type (Wireless Wan over mobile 4G/3G/2G network)	<p>4G/LTE-FDD, bands 1/3/7/8/20 max Power 23 dBm</p> <p>4G/LTE-TDD, bands 38/40 max Power 23 dBm</p> <p>HSPA+/UMTS/WCDMA, bands 1/8 max Power 24 dBm</p> <p>GSM, band 3/8 max Power 33 dBm</p> <p>Speeds: 4G/LTE Download 150Mbps / Upload 50Mbps, HSPA+/UMTS/WCDMA Download 21.6Mbps / Upload 5.76Mbps</p>
	<ul style="list-style-type: none"> <li>• 3 LAN RJ45 ports, 10/100Mbps, Auto MDI-X</li> <li>• 1 WAN RJ45 port, 10/100Mbps, Auto MDI-X</li> <li>• 1 FXS port</li> <li>• 1 RS232 port</li> <li>• FXS Voice Interface</li> </ul>
	<ul style="list-style-type: none"> <li>• 1 SIM card slot</li> <li>• Manual and automatic 4G/3G/2G connection</li> </ul>

## Download

You can download the PDF of this page

DIDO-Telemaco modem GPRS-English

Download

Updated on 7 Giugno 2021