



Sherman touchless

Contents

[Safety and usage cautions](#)

[Dimensions](#)

[Cut-out / Distance between buttons](#)

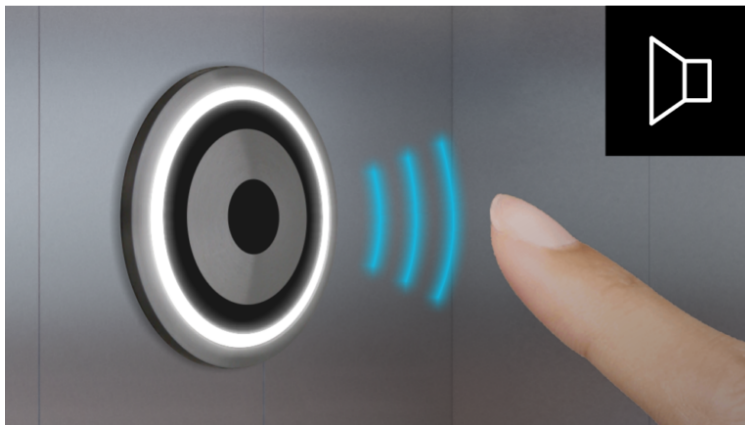
[Wiring Instructions](#)

[Settings](#)

[Datasheet](#)

[Download](#)

[Previous versions](#)



i Check the printing on the back of the button. If the polarity indication (+ / -) is present, consult the pdf of the instructions at the [following link](#).

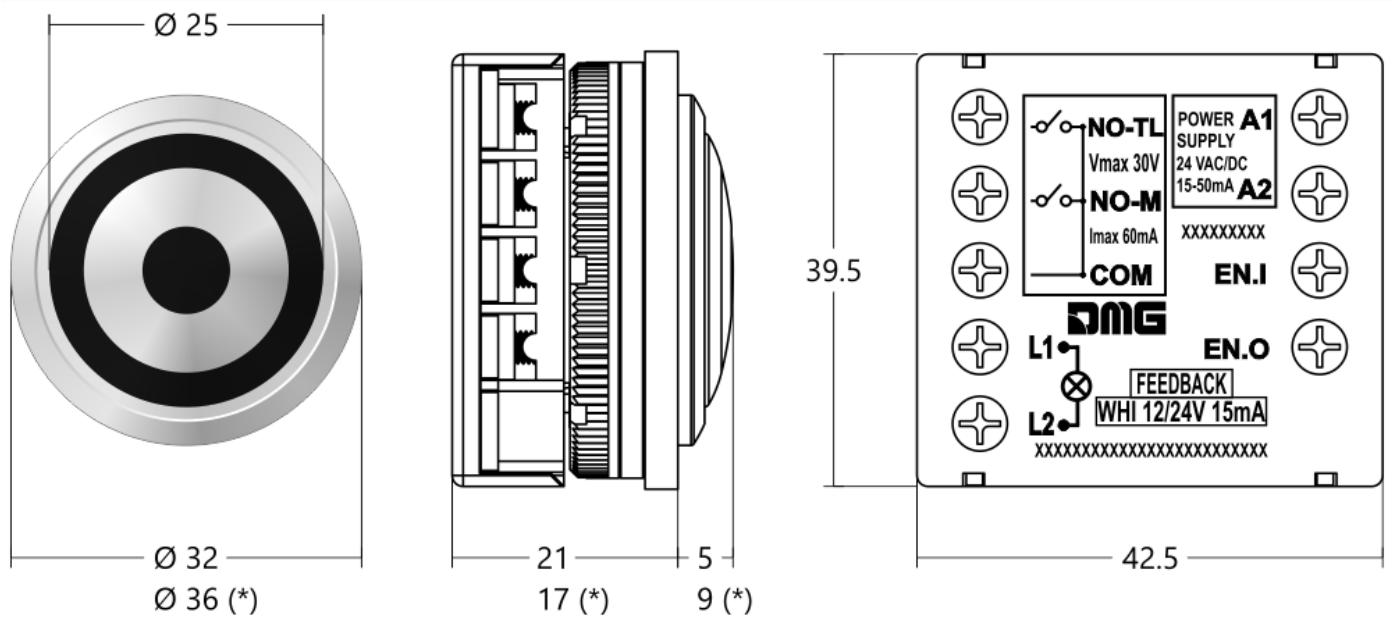
! Warning: Avoid direct exposure to sunlight and heat sources.

Safety and usage cautions

Before installing our products, we recommend you to consult the section about safety and usage cautions at the link below.

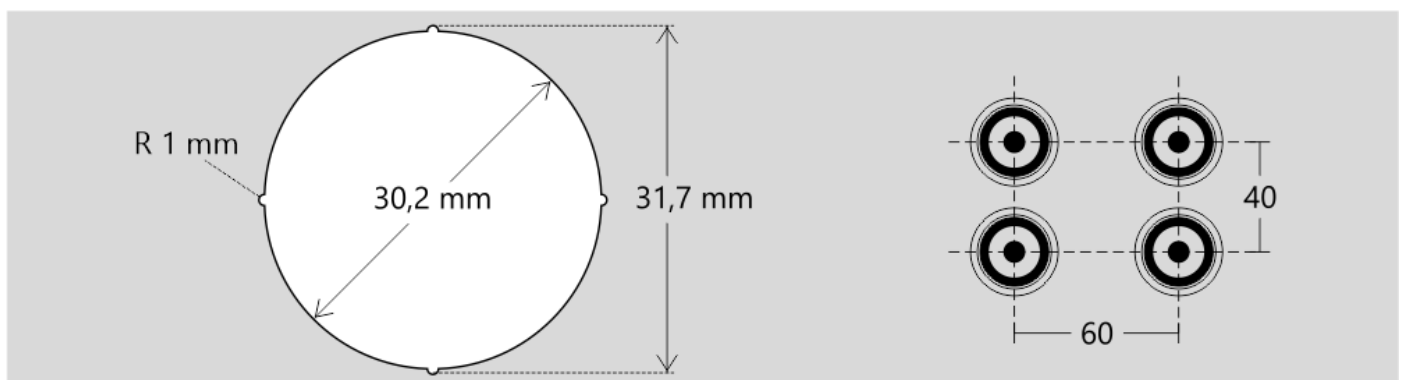


Dimensions



(*) Main floor

Cut-out / Distance between buttons

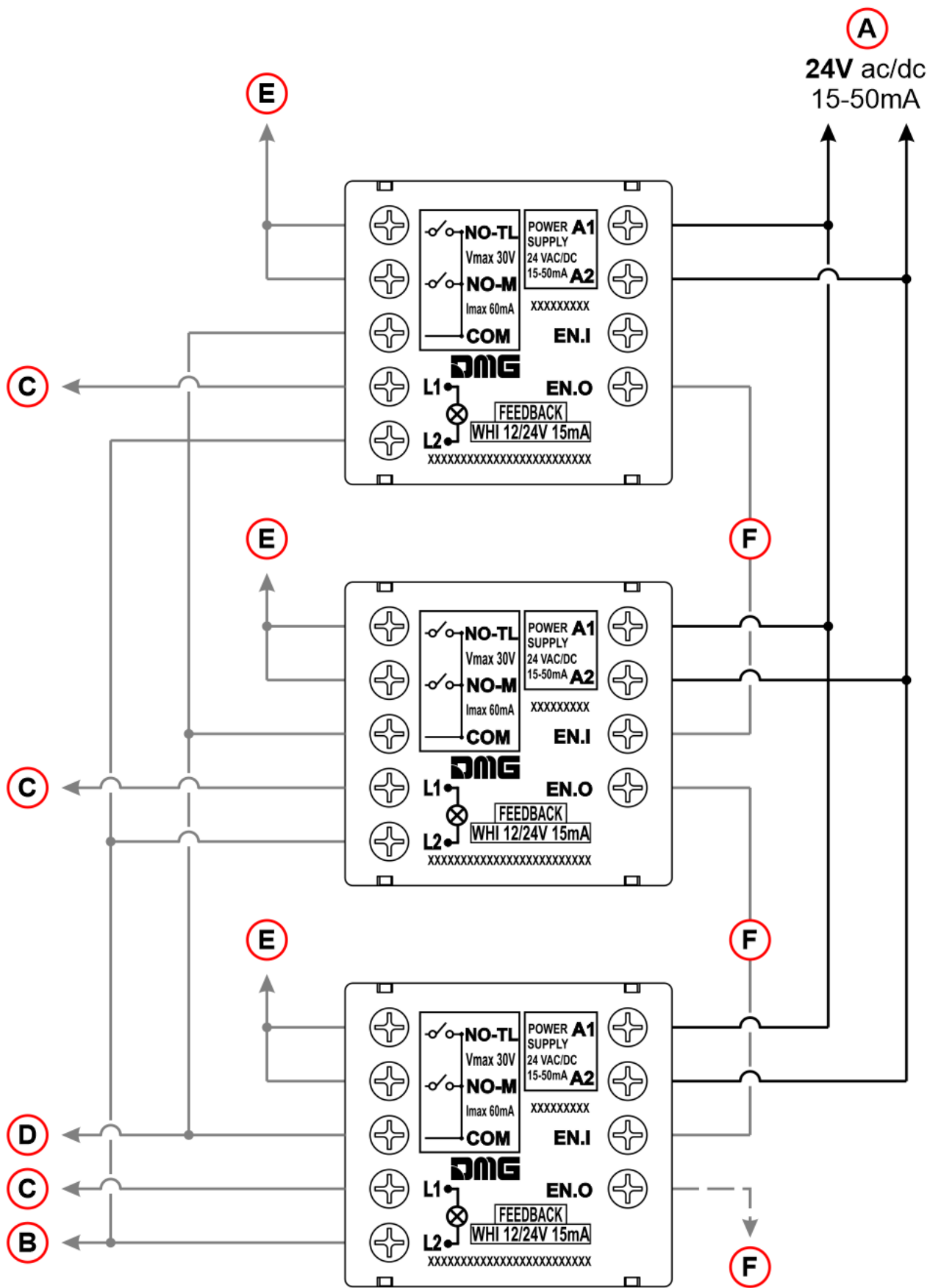


Wiring Instructions

Version without buzzer

Attention:

In the version without buzzer it is possible to independently connect both the mechanical contact (NO-M) and the touchless contact (NO-TL).



A) – Power supply: 24V ac/dc / 15-50mA

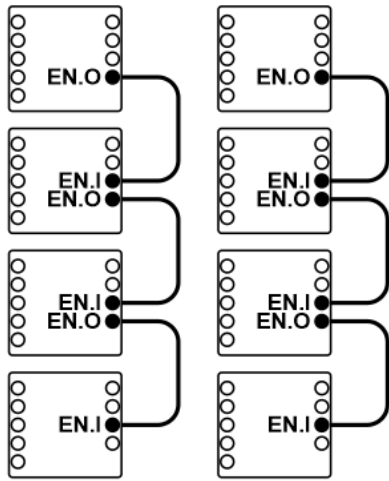
B) – The common of the lamps

C) – Lamps

D) – The common of the contacts

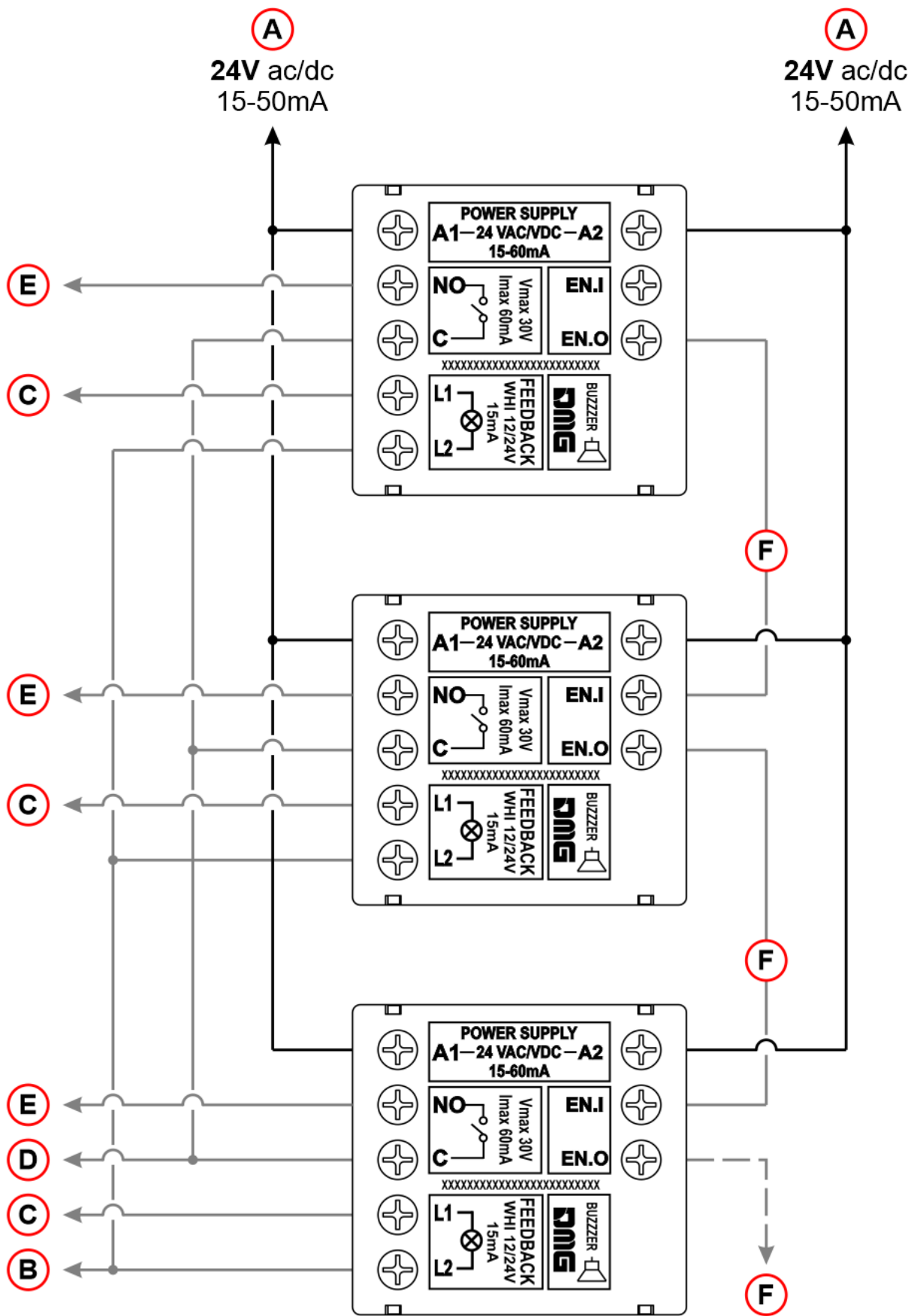
E) – Contacts

F) – To avoid simultaneous activation of more than one call, each button is connected to the one below by an unipolar link from terminal EN.O to terminal EN.I (see below).



Version with buzzer

Attention: in the version with buzzer, the mechanical and touchless activation have been unified in a single contact (NO).



A) – Power supply: 24V ac/dc / 15-50mA

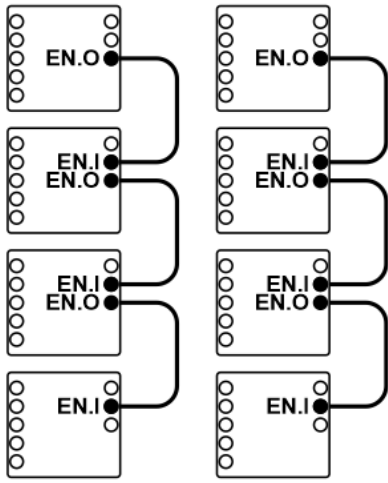
B) – The common of the lamps

C) – Lamps

D) – The common of the contacts

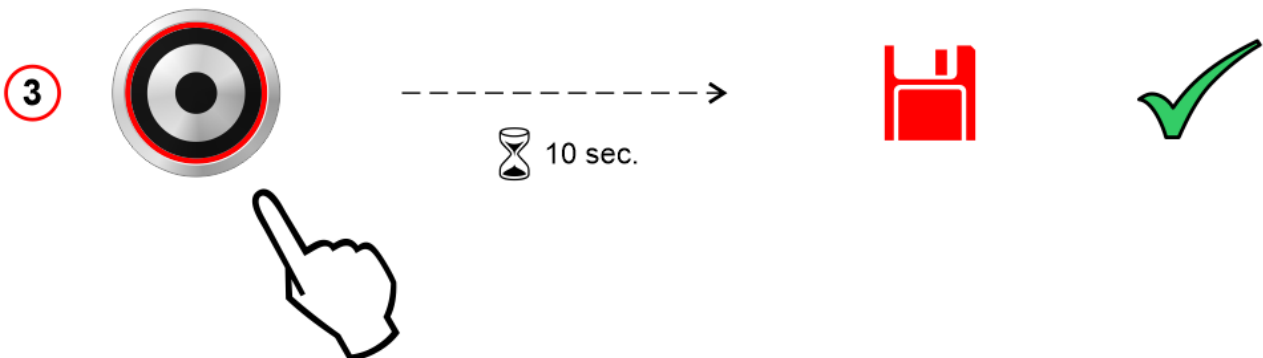
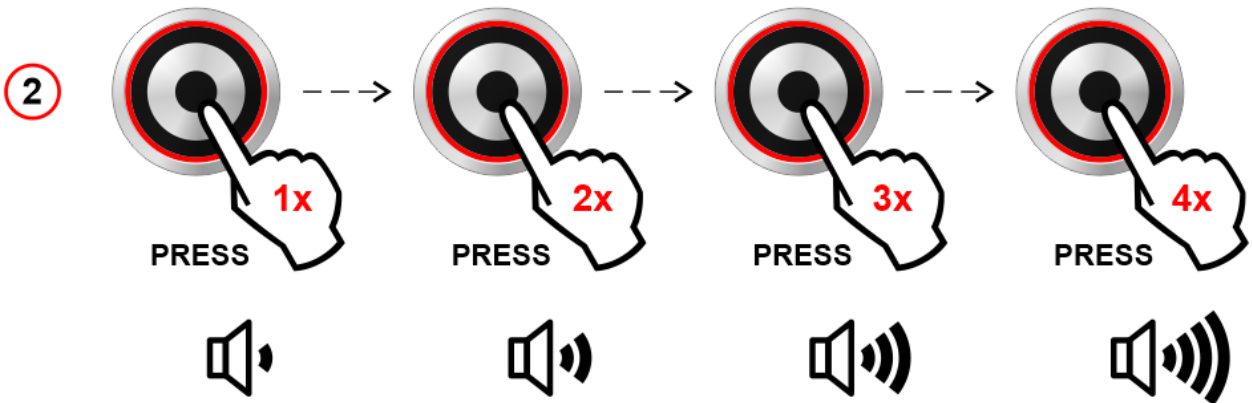
E) – Contacts

F) – To avoid simultaneous activation of more than one call, each button is connected to the one below by an unipolar link from terminal EN.O to terminal EN.I (see below).



Settings

Volume setting (version with buzzer only)



- 1) – Press and hold the button for 30 seconds.
- 2) – Set the desired volume by pressing the button several times.
- 3) – Once you have chosen the right volume, wait 10 seconds without pressing the button to store the setting.

Datasheet

Body	AISI 303 turned stainless steel button
Contacts	mechanical mode: 1 contact 30V, 60mA touchless mode: opto relay 30V, 60mA
Power supply	24V ac/dc, stand-by 15mA, max 50mA
Illumination	white, LED 12V or 24V AC/DC, no illumination when not activated
Wiring	version without buzzer: 9 screw terminals version with buzzer: 8 screw terminals
Avg. life	1.500.000 mechanical activations (24V, 20mA)
Operating temperature	-5 / +50 °C
Protections	IK07 / IP44
Lockable thickness	1÷4 mm (1÷3 mm main floor version)

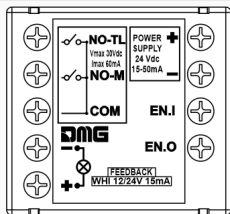
Download

You can download the PDF of this page

DIDO-Sherman-touchless-English

Download

Previous versions

Reference	Date	Link
	Up to 06/2021	Download PDF

Updated on 9 Giugno 2021