



## Sherman touchless

### Contents

[Safety and usage cautions](#)

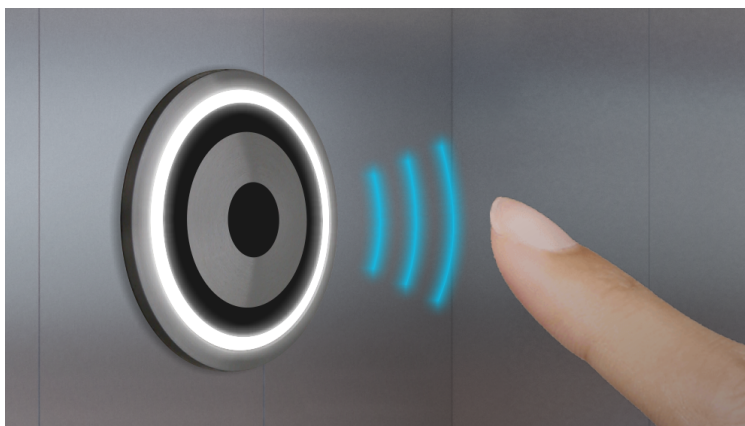
[Dimensions](#)

[Cut-out / Distance between buttons](#)

[Wiring Instructions](#)

[Datasheet](#)

[Download](#)

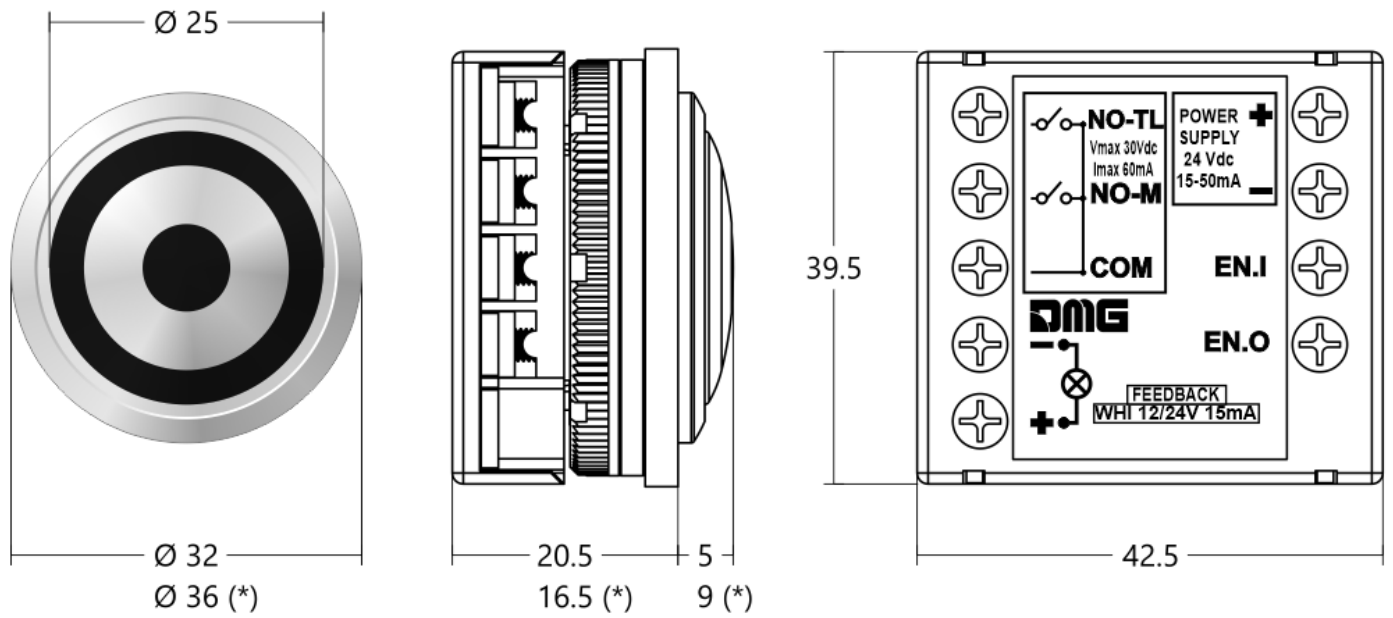


## Safety and usage cautions

Before installing our products, we recommend you to consult the section about safety and usage cautions at the link below.

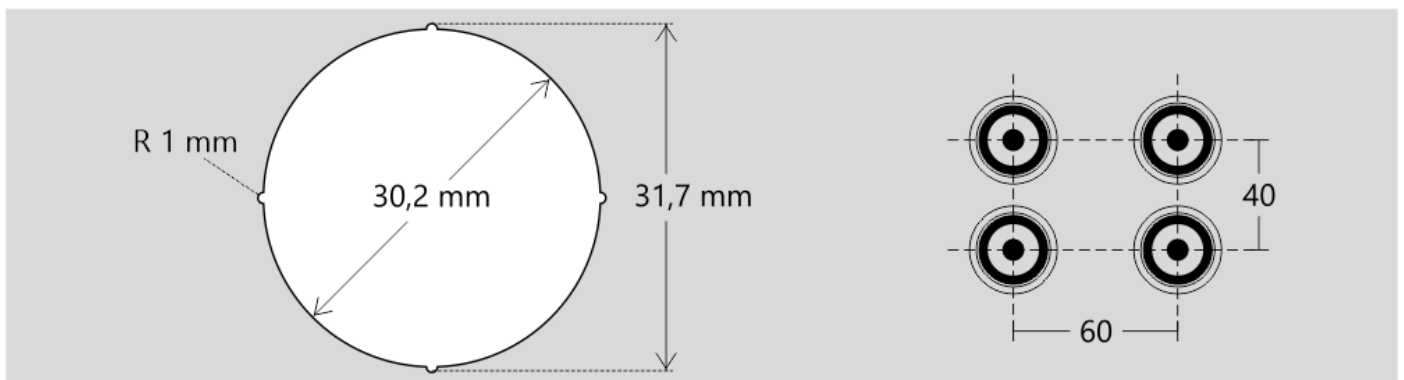


## Dimensions



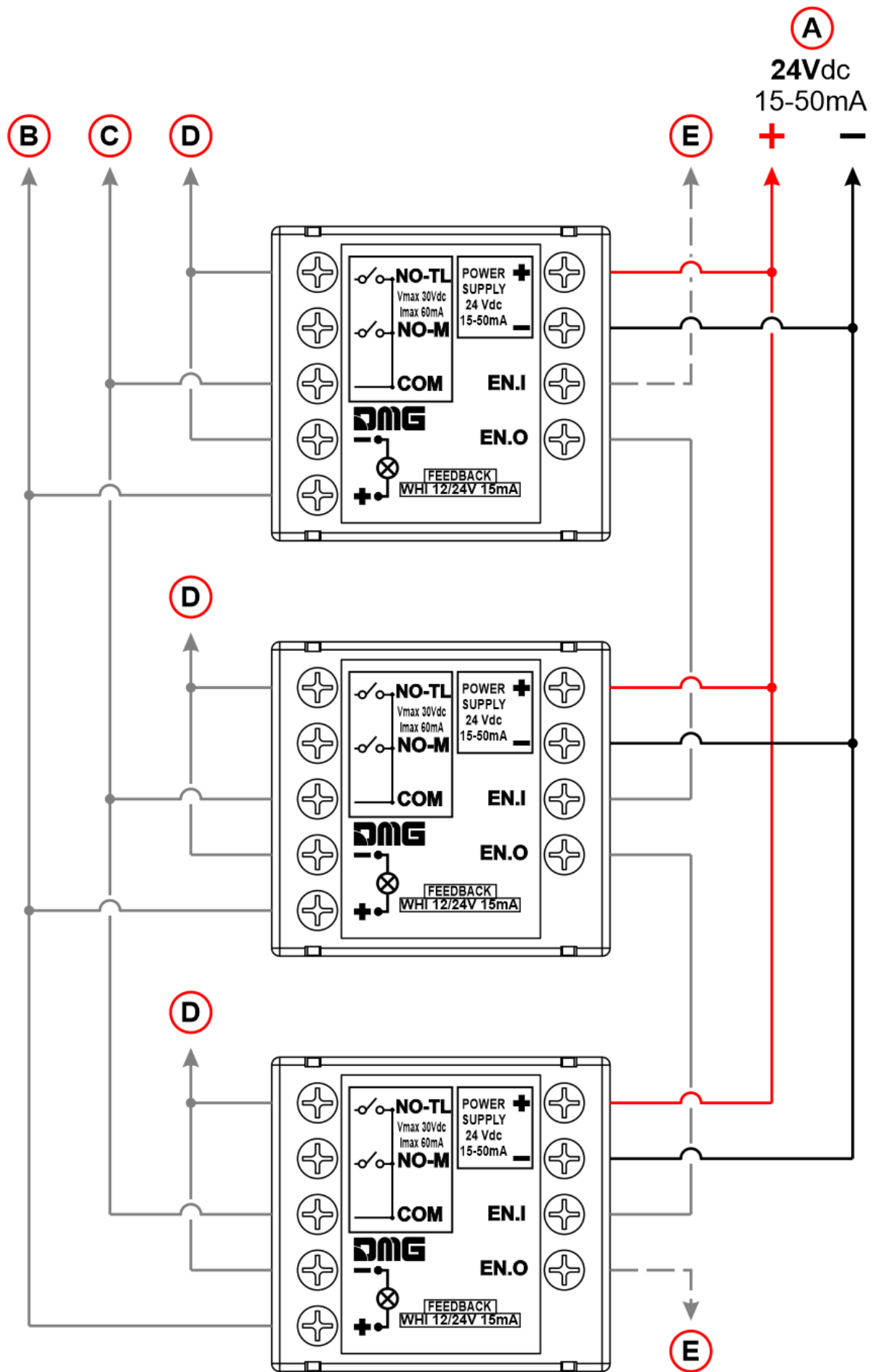
(\*) Main floor

## Cut-out / Distance between buttons



## Wiring Instructions

Attention: In the version without beep it is possible to independently connect both the mechanical contact (NO-M) and the touchless contact (NO-TL). The example below shows the connection of the touchless contact (NO-TL).



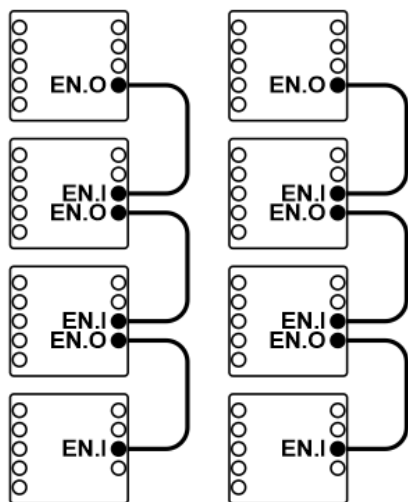
A) – Power supply: 24V dc / 15-50mA

B) – The common of the lighting (24V)

C) – The common of the calls (0V)

D) – Calls

E) – To avoid simultaneous activation of more than one call, each button is connected to the one below by an unipolar link from terminal EN.O to terminal EN.I (see below).



## Datasheet

Body	AISI 303 turned stainless steel button
Contacts	mechanical mode: 1 contact 30V, 60mA touchless mode: opto relay 30V, 60mA
Power supply	24V DC, stand-by 15mA, max 50mA
Illumination	white, LED 12V or 24V AC/DC, no illumination when not activated
Wiring	9 screw terminals
Avg. life	1.500.000 mechanical activations (24V, 20mA)
Operating temperature	-5 / +50 °C
Protections	IK07 / IP44
Lockable thickness	1÷4 mm (1÷3 mm main floor version)

## Download

You can download the PDF of this page

[DIDO-Sherman touchless-English](#)

Download

Updated on 7 Giugno 2021

